



Project: 15-004 - VA Castle Point Relocation of SPS NY
Submittal ID: 00006
Spec Section: 23 37 00

Furnish as Corrected

Review is for general conformance with plans and specifications given in the Contract Documents. Contractor is solely responsible for dimensions, quantities, performance, safety, coordination with other work, and all other requirements of the Contract Documents. Review does not authorize changes to the Contract unless stated specifically in a separate letter or Change Order.

Reviewed By: Bob Maxwell
Reviewed On: 7/5/2018
Apogee Consulting Group, P.A.

COMMENTS:

Provide plaster frame for air outlets and inlets in plaster ceilings.

LETTER OF TRANSMITTAL

Nordstrom Contracting
 Consulting Corp
 36 Thiells Mt. Ivy Rd.
 Pomona, NY 10970

JUNE 26, 2018
 Project: VA620A4-17-111
 Relocate SPS

To: Apogee Consulting Group, PA Attention: Cullen S. Keen AIA

1151 Kildaire Farm Road

Cary, NC 27511

**HVAC EQUIPMENT SUBMITTAL # 1
 (AS NOTED IN "Description" BELOW)**

Gentlemen;

We are sending you Herewith Delivered by Hand Under Separate Cover Via **ELECTRONIC**

Plans Prints Shop Dwgs Samples Specifications Other **Product Documents**

Copies	Item	# Pages	Description
1	1	57	TRANE AHU & AIR-COOLED CONDENSING UNITS
1	2	22	LG ELECTRONICS - SPLIT SYSTEM
1	3	18	PURE HUMIDIFIER CO. - STEAM HEAT HUMIDIFIER
1	4	6	LOREN COOK - CENTRIFRUGAL WALL FANS
1	5	9	NAILOR INDUSTRIES - SINGLE DUCT VAV UNITS
1	6	12	NAILOR INDUSTRIES - REGISTERS, GRILLS & DIFFUSERS
1	7	9	AIRFLOW DIRECTION INC. - VISUAL PRESSURE INDICATOR
			THIS ATTACHED IS APPROVED FOR SUBMITTAL BY NORDSTROM CONTRACTING

The Above Listed Items are transmitted as indicted below:

Return By Date: ASAP

Approval As Requested For Your Use For Construction

Approved As Noted Submit _____ Copies for Record Distribution

Returned for Correction, Revise & Resubmit Coordination (Should the attached be in conflict with your work, advise immediately)

For Your Files Other: _____

For Bids Due _____

Remarks: _____

Copies W () W/O()

Enclosures: Timothy Starks

NCC FIELD FILE

Oscar Nordstrom, President



June 13, 2018

Mr. Michael Houghton
M. H. Heating & Cooling, LLC
Wallkill, New York

Re: **Submittal for Approval**
VA Hudson Valley Healthcare Systems
Relocate SPS
Castle Point, NY

Dear Mr. Houghton:

In reference to the above project, here is a set of submittal drawings for:

Nailor Industries – Registers, Grilles, and Diffusers – Spec 233700

The equipment in this submittal is being held for construction, pending your approval and release. Please return one set of submittal drawings to our office.

We thank you for your order and appreciate this opportunity to be of service.

Regards,

R.F. Peck Co., Inc.

A handwritten signature in black ink, appearing to read "Kyle Mead", is written over a light blue horizontal line.

Kyle Mead
Enclosures



22 Computer Drive - West
Albany, NY 12205
Phone (518) 869-3541

Equipment Submittal

Project	VA Hudson Valley Healthcare Systems Relocate SPS Castle Point, NY
Engineer	RPA Design Charlotte, NC
Contractor	M. H. Heating & Cooling, LLC Wallkill, NY
Submitted by	Kyle Mead/dk R. F. Peck Co., Inc. Albany, New York Date: June 12, 2018

Manufacturer's Representatives for
Heating, Ventilating and
Air Conditioning Equipment

Contents: Nailor Industries – Registers, Grilles & Diffusers – Spec 233700

Note: Based on Contract Drawings Dated 5.5.2017



REGISTERS, GRILLES & DIFFUSERS

Project Code:	MKY180611-002						
Sales Person:	KYLE MEAD						
Project Location:	VA Hudson Valley Healthcare Systems						
Project Name:	Relocate SPS						
Engineer:	RPA Design						
Date:	June 12, 2018						
Location	Description	Sch Type	Model	Qty	Dimensions	Variances	CFM
DRAWING MH101, BASEMENT DUCTWORK PLAN							
SYSTEMS RM 011	Alum. Single Defl. Reg - Horiz. Blades - Steel OBD	SG1	51SH-O	1	12" x 6"	S- AW- DMI- A	NG
SYSTEMS RM 011	Alum.RA Register-¾"Spacing,45°HorizBlades-SteelOBD	EG2	5145H-O	1	12" x 12"	S- AW- DMI- A	NG
PASSAGE 012	Architectural, Aluminum, Concealed Neck Bracketry	SD2	AUNI	1	8"Ø	24" x 24"- L- AW	250
PASSAGE 012	Aluminum Eggcrate Return Air Grille	EG3	51EC	1	24" x 12"	L- AW- N- CA	200
TECH OFFICE 014	Architectural, Aluminum, Concealed Neck Bracketry	SD1	AUNI	1	6"Ø	24" x 24"- L- AW	70
TECH OFFICE 014	Alum.RA Register-¾"Spacing,45°HorizBlades-SteelOBD	EG1	5145H-O	1	8" x 8"	S- AW- DMI- A	70
DIR. OFFICE 015	Architectural, Aluminum, Concealed Neck Bracketry	SD-1	AUNI	1	6"Ø	24" x 24"- L- AW	70
DIR. OFFICE 015	Alum.RA Register-¾"Spacing,45°HorizBlades-SteelOBD	EG1	5145H-O	1	8" x 8"	S- AW- DMI- A	70
M LOCKER 016	Architectural, Aluminum, Concealed Neck Bracketry	SD1	AUNI	1	6"Ø	24" x 24"- L- AW	75
TLT/SHWR 017	Alum.RA Register-¾"Spacing,45°HorizBlades-SteelOBD	EG1	5145H-O	1	8" x 8"	S- AW- DMI- A	150
F LOCKER 018	Architectural, Aluminum, Concealed Neck Bracketry	SD1	AUNI	1	6"Ø	24" x 24"- L- AW	95
F TLT/SHWR 019	Alum.RA Register-¾"Spacing,45°HorizBlades-SteelOBD	EG1	5145H-O	1	8" x 8"	S- AW- DMI- A	150
ANTEROOM 020	Architectural, Aluminum, Concealed Neck Bracketry	SD1	AUNI	1	6"Ø	24" x 24"- L- AW	135
ANTEROOM 021	Architectural, Aluminum, Concealed Neck Bracketry	SD1	AUNI	1	6"Ø	24" x 24"- L- AW	95
DECONTAMINATION 022	Architectural, Aluminum, Concealed Neck Bracketry	SD3	AUNI	2	10"Ø	24" x 24"- L- AW	400
DECONTAMINATION 022	Alum.RA Register-¾"Spacing,45°HorizBlades-SteelOBD	EG1	5145H-O	1	8" x 8"	S- AW- DMI- A	200
DECONTAMINATION 022	Alum.RA Register-¾"Spacing,45°HorizBlades-SteelOBD	EG2	5145H-O	2	12" x 12"	S- AW- DMI- A	400
HAC 023	Alum.RA Register-¾"Spacing,45°HorizBlades-SteelOBD	EG1	5145H-O	1	8" x 8"	S- AW- DMI- A	75
CART WASH AUTO 024	Alum. Single Defl. Reg - Horiz. Blades - Steel OBD	SG1	51SH-O	1	12" x 6"	S- AW- DMI- A	700
DECON SCOPES 025	Architectural, Aluminum, Concealed Neck Bracketry	SD2	AUNI	1	8"Ø	24" x 24"- L- AW	200
DECON SCOPES 025	Alum.RA Register-¾"Spacing,45°HorizBlades-SteelOBD	EG1	5145H-O	1	8" x 8"	S- AW- DMI- A	200
SCOPES PROCESS 026	Architectural, Aluminum, Concealed Neck Bracketry	SD4	AUNI	1	12"Ø	24" x 24"- L- AW	600
SCOPES PROCESS 026	Alum.RA Register-¾"Spacing,45°HorizBlades-SteelOBD	EG2	5145H-O	1	12" x 12"	S- AW- DMI- A	480



REGISTERS, GRILLES & DIFFUSERS

Project Code:	MKY180611-002						
Sales Person:	KYLE MEAD						
Project Location:	VA Hudson Valley Healthcare Systems						
Project Name:	Relocate SPS						
Engineer:	RPA Design						
Date:	June 12, 2018						
Location	Description	Sch Type	Model	Qty	Dimensions	Variances	CFM
CLEAN PREP 027	Architectural, Aluminum, Concealed Neck Bracketry	SD3	AUNI	5	10"Ø	24" x 24"- L- AW	350
CLEAN PREP 027	Alum.RA Register-¾"Spacing,45°HorizBlades-SteelOBD	EG1	5145H-O	3	8" x 8"	S- AW- DMI- A	200
CLEAN PREP 027	Alum.RA Register-¾"Spacing,45°HorizBlades-SteelOBD	EG1	5145H-O	1	8" x 8"	S- AW- DMI- A	300
CLEAN PREP 027	Alum.RA Register-¾"Spacing,45°HorizBlades-SteelOBD	EG2	5145H-O	1	12" x 12"	S- AW- DMI- A	400
CLEAN PREP 027	Alum.RA Register-¾"Spacing,45°HorizBlades-SteelOBD	EG-2	5145H-O	2	12" x 12"	S- AW- DMI- A	NG
WASHER 028	Alum.RA Register-¾"Spacing,45°HorizBlades-SteelOBD	EG-1	5145H-O	1	8" x 8"	S- AW- DMI- A	200
WASHER 028	Alum.RA Register-¾"Spacing,45°HorizBlades-SteelOBD	EG2	5145H-O	2	12" x 12"	S- AW- DMI- A	NG
STER 029	Architectural, Aluminum, Concealed Neck Bracketry	SD5	AUNI	1	6"Ø	24" x 24"- L- AW	150
STER 029	Alum.RA Register-¾"Spacing,45°HorizBlades-SteelOBD	EG2	5145H-O	1	12" x 12"	S- AW- DMI- A	700
STER 029	Alum.RA Register-¾"Spacing,45°HorizBlades-SteelOBD	EG2	5145H-O	2	12" x 12"	S- AW- DMI- A	NG
STERILE/NON*STERILE 030	Architectural, Aluminum, Concealed Neck Bracketry	SD3	AUNI	3	10"Ø	24" x 24"- L- AW	340
STERILE/NON*STERILE 030	Alum.RA Register-¾"Spacing,45°HorizBlades-SteelOBD	EG2	5145H-O	1	12" x 12"	S- AW- DMI- A	325
ANTEROOM 031	Architectural, Aluminum, Concealed Neck Bracketry	SD1	AUNI	1	6"Ø	24" x 24"- L- AW	90
SUPPLY STOR. 032	Architectural, Aluminum, Concealed Neck Bracketry	SD1	AUNI	1	6"Ø	24" x 24"- L- AW	80
SUPPLY STOR. 032	Aluminum Eggcrate Return Air Grille	EG3	51EC	1	24" x 12"	L- AW- N- CA	80
HAC 033	Alum.RA Register-¾"Spacing,45°HorizBlades-SteelOBD	EG1	5145H-O	1	8" x 8"	S- AW- DMI- A	75
ANTEROOM 034	Architectural, Aluminum, Concealed Neck Bracketry	SD2	AUNI	1	8"Ø	24" x 24"- L- AW	150
M LOCKER RM 035	Architectural, Aluminum, Concealed Neck Bracketry	SD1	AUNI	1	6"Ø	24" x 24"- L- AW	110
TOILET 036	Alum.RA Register-¾"Spacing,45°HorizBlades-SteelOBD	EG1	5145H-O	1	8" x 8"	S- AW- DMI- A	150
F LOCKER RM 037	Architectural, Aluminum, Concealed Neck Bracketry	SD1	AUNI	1	6"Ø	24" x 24"- L- AW	90
TOILET 038	Alum.RA Register-¾"Spacing,45°HorizBlades-SteelOBD	EG1	5145H-O	1	8" x 8"	S- AW- DMI- A	150

SUBMITTAL INDEX



Project Name: Relocate SPS

Date: June 13, 2018

Schedule Type	Drawing Name	Model	Description
SD1	UNI-6_B	AUNI	Architectural, Aluminum, Concealed Neck Bracketry
SD-2	UNI-6_B	AUNI	Architectural, Aluminum, Concealed Neck Bracketry
SD3	UNI-6_B	AUNI	Architectural, Aluminum, Concealed Neck Bracketry
SD4	UNI-6_B	AUNI	Architectural, Aluminum, Concealed Neck Bracketry
SD5	UNI-6_B	AUNI	Architectural, Aluminum, Concealed Neck Bracketry

Accessory Codes Description

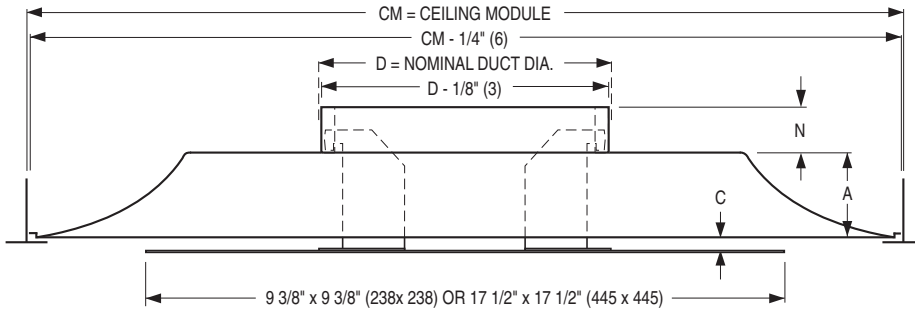
AUNI - Architectural, Aluminum, Concealed Neck Bracketry

- 06 Neck Size = 6" Round
- 08 Neck Size = 8" Round
- 10 Neck Size = 10" Round
- 12 Neck Size = 12" Round
- 1212 Ceiling Module Size = 12" x 12"
- 2424 Ceiling Module Size = 24" x 24"
- L Frame = Lay-in T-Bar
- AW Finish = Appliance White



ARCHITECTURAL CEILING DIFFUSERS
SQUARE PLAQUE • CONCEALED NECK BRACKETRY
ALUMINUM • ROUND NECK
MODEL: AUNI

TYPE L Lay-in T-Bar



Dimensional Data

Ceiling Module CM		Imperial Units (inches)						Metric Units (mm)					
Imperial Modules	Metric Modules	Duct Size D	N	A	B	C	F	Duct Size D	N	A	B	C	F
12 x 12	300 x 300	4*	3 1/4	1	11	5/8	13	102*	83	25	279	16	330
		5, 6, 7, 8	1 1/4					127, 152, 178, 203					
24 x 24	600 x 600	6, 8, 10, 12, 14, 15	1 1/4	2 5/16	22	3/8	N/A	152, 203, 254, 305, 356, 381	32	59	559	10	N/A

* Supplied with a reducer.

DESCRIPTION:

1. Material: Aluminum with corrosion-resistant steel neck bracketry.
2. The AUNI Diffuser has been designed to provide both the unobtrusive appearance and engineered performance. Unique, concealed neck bracketry design is virtually invisible from a normal viewing position, giving the appearance that the plaque face floats below the backpan. There are no visible corner posts as on competitor's models to detract from the aesthetically clean design.
3. The diffuser delivers a tight 360° radial horizontal pattern allowing high turn down ratios with no dumping. Excellent for VAV systems.
4. The diffuser features a stamped one-piece outer-cone which eliminates mitered corners and a double skinned inner face panel with a hemmed edge for strength and a clean appearance.
5. A spring clip arrangement permits quick, easy installation and removal of the inner core assembly.
6. Standard finish is AW Appliance White.

OPTIONS:

- ~~EX External Foil-Back Insulation, installed - R-4.2~~
- ~~EXB External Foil-Back Insulation, ships loose - R-4.2~~
- ~~MIB Molded Insulation Blanket - R-6.0 (24 x 24 only)~~
- ~~EQT Earthquake Tabs~~

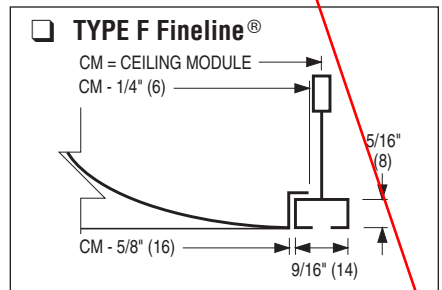
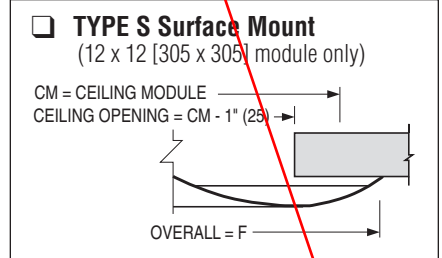
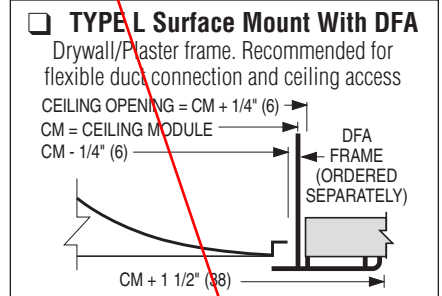
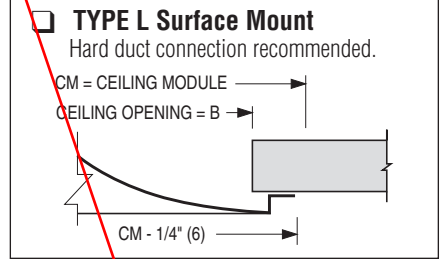
Finish:

- ~~SP Special. Specify _____.~~

QB Quadrant Blanks:

- ~~QB3 3-Way Blow~~
- ~~QC2 2-Way Corner Blow~~
- ~~QB2 2-Way Opposite Blow~~
- ~~QB1 1-Way Blow~~

Fineline® is a registered trademark of USG Interiors Inc.



SCHEDULE TYPE:	
PROJECT:	
ENGINEER:	
CONTRACTOR:	

Dimensions are in inches (mm).

DATE	B SERIES	SUPERSEDES	DRAWING NO.
1 - 24 - 17	UNI	7 - 25 - 16	UNI-6

SUBMITTAL INDEX



Project Name: Relocate SPS

Date: June 12, 2018

Schedule Type	Drawing Name	Model	Description
SG1	5100-1_B	51SH-O	Alum. Single Defl. Reg - Horiz. Blades - Steel OBD

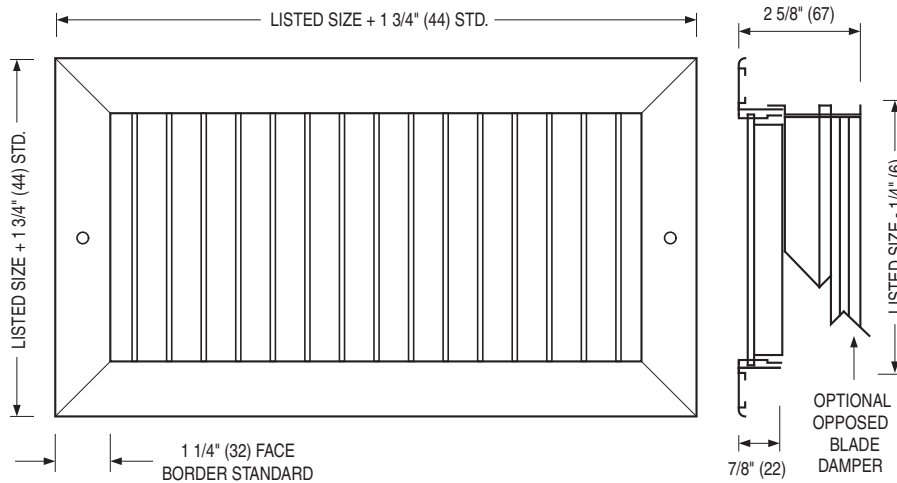
Accessory Codes Description

51SH-O - Alum. Single Defl. Reg - Horiz. Blades - Steel OBD

S Frame/Border Type = *Surface Mount*
AW Finish = *Appliance White*
DMI OBD Finish = *Mill*
A Fastening = *Screw Holes*

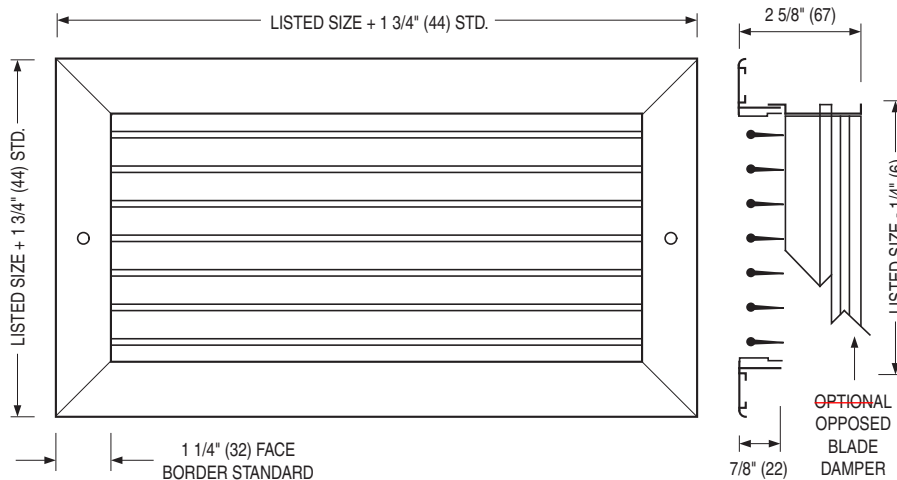


ALUMINUM SUPPLY GRILLES & REGISTERS
SINGLE DEFLECTION • ADJUSTABLE
MODELS: ~~51SV(-O)~~ AND 51SH(-O) TYPE S



~~MODEL 51SV~~
 Single Deflection Grille
 Vertical Blades

~~MODEL 51SV-O~~
 Single Deflection Register
 Vertical Blades
 (Includes O. B. Damper)



~~MODEL 51SH~~
 Single Deflection Grille
 Horizontal Blades

MODEL 51SH-O
 Single Deflection Register
 Horizontal Blades
 (Includes O. B. Damper)

DESCRIPTION:

1. Construction: Extruded aluminum heavy gauge frame mechanically interlocked with hairline mitered corners for strength. A single set of extruded aluminum 'teardrop' blades on 3/4" (19) centers provide air control in a single plane. Blades are individually pivoted to ensure positive positioning when adjusted to desired deflection setting.
2. Optional roll-formed steel opposed blade damper has a screw driver slot operator accessible through face of register.
3. Minimum size is 4" x 4" (102 x 102).
Maximum size is 48" x 48" (1219 x 1219).
4. Type S Surface Mount standard frame has a 1 1/4" (32) face border and a 1" (25) overlap margin.
5. Standard fastening is Type A countersunk screw holes.
6. Standard finish is AW Appliance White.

OPTIONS:

1. ~~Finish:~~
 - SA ~~Satin (clear) anodized~~
 - SP ~~Special _____.~~
2. ~~Fastening:~~
 - Type-C ~~Concealed mounting straps~~
 - Type-D ~~Concealed screw holes in neck~~
 - Type-N ~~None.~~
3. OA Aluminum opposed blade damper.
4. Type-NF ~~Narrow frame with 1" (25) face border and a 3/4" (19) overlap margin. O.A. flange to flange dim. = listed size + 1 1/4" (32).~~
5. PF ~~Plaster frame~~
6. IS ~~Insect screen~~
7. Other _____.

SCHEDULE TYPE:

PROJECT:

ENGINEER:

CONTRACTOR:

Dimensions are in inches (mm).

DATE	B SERIES	SUPERSEDES	DRAWING NO.
2-1-11	5100	2-23-04	5100-1

SUBMITTAL INDEX



Project Name: Relocate SPS

Date: June 12, 2018

Schedule Type	Drawing Name	Model	Description
EG1	5100-3_B	5145H-O	Alum.RA Register-3/4"Spacing,45°HorizBlades-SteelOBD
EG2	5100-3_B	5145H-O	Alum.RA Register-3/4"Spacing,45°HorizBlades-SteelOBD

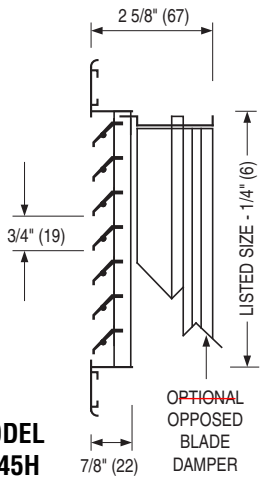
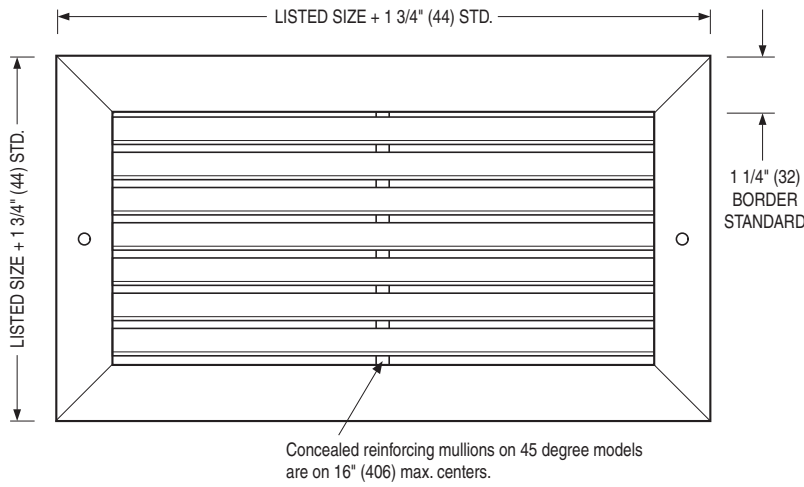
Accessory Codes Description

5145H-O - Alum.RA Register-3/4"Spacing,45°HorizBlades-SteelOBD

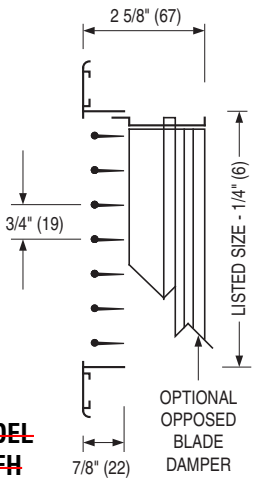
S Frame/Border Type = *Surface Mount*
AW Finish = *Appliance White*
DMI OBD Finish = *Mill*
A Fastening = *Screw Holes*



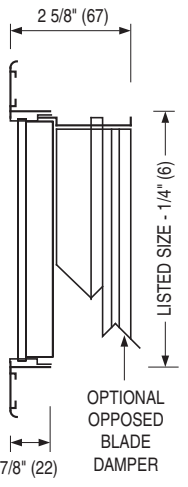
ALUMINUM RETURN GRILLES & REGISTERS
FIXED BLADES • 3/4" (19) SPACING
MODELS: ~~5145H(-O), 5145V(-O), 51FH(-O)~~
~~AND 51FV(-O) TYPE S~~



MODEL 5145H



MODEL 51FH



MODEL 51FV

- MODEL 5145H**
Single Deflection Grille
Fixed 45° Horizontal Blades
- MODEL 5145H-O**
Single Deflection Register
Fixed 45° Horizontal Blades
(Includes O. B. Damper)
- ~~MODEL 5145V~~
Single Deflection Grille
Fixed 45° Vertical Blades
- ~~MODEL 5145V-O~~
Single Deflection Register
Fixed 45° Vertical Blades
(Includes O. B. Damper)
- ~~MODEL 51FH~~
Single Deflection Grille
Fixed 0° Horizontal Blades
- ~~MODEL 51FH-O~~
Single Deflection Register
Fixed 0° Horizontal Blades
(Includes O. B. Damper)
- ~~MODEL 51FV~~
Single Deflection Grille
Fixed 0° Vertical Blades
- ~~MODEL 51FV-O~~
Single Deflection Register
Fixed 0° Vertical Blades
(Includes O. B. Damper)

DESCRIPTION:

1. Construction: Extruded aluminum.
Rigid heavy-gauge frame mechanically interlocked with reinforced mitered corners. Rigid streamlined shape solid blades on 3/4" (19) centers are fixed at 0 or 45 degrees to match and compliment the supply grilles and registers. 45 degree models utilize a concealed rear reinforcing mullion and utilize a single blade pack that produces a continuous louvered blade appearance. 0 degree models utilize a visible face mullion when blade length exceeds 16" (406).
2. Optional roll-formed steel opposed blade damper has a screwdriver slot operator accessible through face of register.
3. Minimum size is 4" x 4" (102 x 102).
Maximum size is 48" x 48" (1219 x 1219).
4. Type S Surface Mount standard frame has a 1 1/4" (32) face border and a 1" (25) overlap margin.
5. Standard fastening is Type A countersunk screw holes.
6. Standard finish is AW Appliance White.

OPTIONS:

1. Finish:
 - SA Satin (clear) anodized
 - SP Special _____.
2. Fastening:
 - Type C Concealed mounting straps
 - Type N None.
3. OA Aluminum opposed blade damper.
4. Type NF Narrow frame with 1" (25) face border and a 3/4" (19) overlap margin. O.A. flange to flange dim. = listed size + 1 1/4" (32).
5. PF Plaster frame
6. IS Insect screen
7. Other _____.

SCHEDULE TYPE:	
PROJECT:	
ENGINEER:	
CONTRACTOR:	

Dimensions are in inches (mm).

DATE	B SERIES	SUPERSEDES	DRAWING NO.
2 - 1 - 11	5100	15 - 3 - 00R	5100-3

SUBMITTAL INDEX



Project Name: Relocate SPS

Date: June 12, 2018

Schedule Type	Drawing Name	Model	Description
EG3	51EC-2_B	51EC	Aluminum Eggcrate Return Air Grille

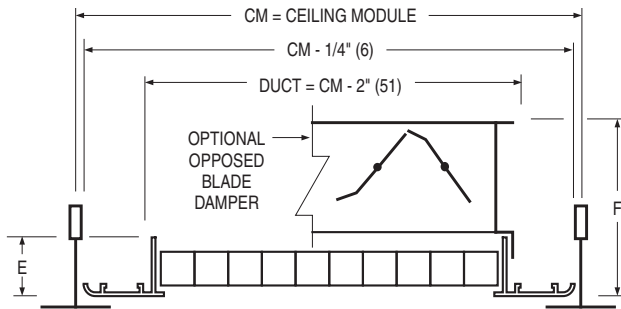
Accessory Codes Description

51EC - Aluminum Eggcrate Return Air Grille

L Frame/Border Type = *Lay-in T-Bar*
AW Finish = *Appliance White*
N Fastening = *None*
CA Core Style = *Standard 1/2x1/2x1/2*

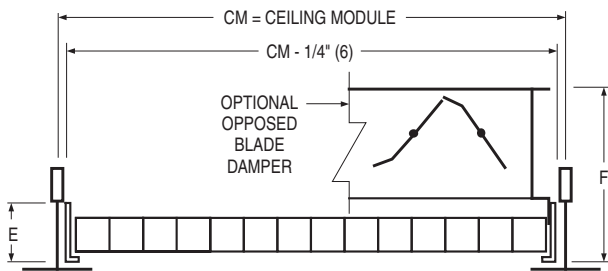


**ALUMINUM EGGCRATE RETURN
GRILLES AND REGISTERS
LAY-IN T-BAR
MODELS: 51EC(-O) TYPES L, ~~A AND C~~**



TYPE L ALUMINUM FRAME/BORDER

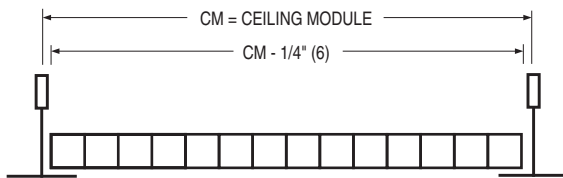
Model 51EC Grille ~~Model 51EC O Register~~



TYPE A ~~CONCEALED ANGLE FRAME~~ (non-ducted applications)

~~Model 51EC Grille~~ ~~Model 51EC O Register~~

DIMENSION	STANDARD FRAME WITH 1/2 x 1/2 x 1/2 STD. CORE	WITH 1/2 x 1/2 x 1 OR 1 x 1 x 1 OPTIONAL CORE
E	7/8" (22)	1 1/4" (32)
F	2 5/8" (67)	3" (76)



TYPE C ~~CORE ONLY~~ (for non-ducted applications) Model 51EC

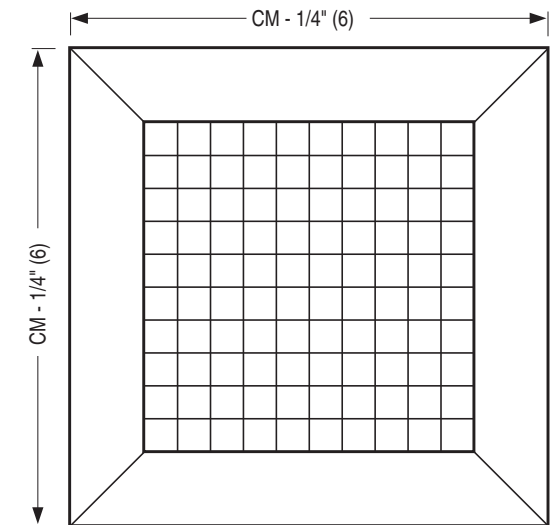
DESCRIPTION:

- Construction: Extruded aluminum heavy gauge frame mechanically interlocked with hairline mitered corners for strength on Type L. 1/2 x 1/2 x 1/2 (13 x 13 x 13) aluminum grid core (code CA) is standard on all models. A high capacity return or exhaust outlet with maximum free area for minimum pressure drop and sound generation.
- Optional roll-formed steel opposed blade damper has a screw driver slot operator accessible through face of register.
- Minimum size is 4" x 4" (102 x 102).
Maximum size is 48" x 48" (1219 x 1219) for Types L and A.
Maximum size is 48" x 24" (1219 x 610) for Type C.
Nominal List Size = Ceiling Module Size.
- Standard finish is AW Appliance White.

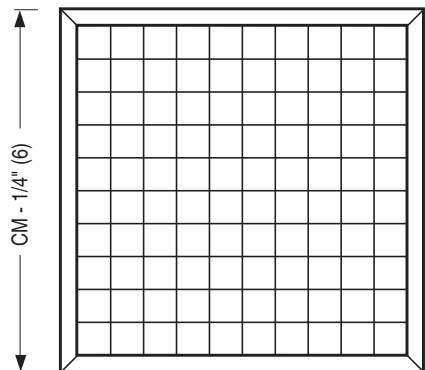
OPTIONS:

- Finish:
 - SA Satin (clear) anodized frame/mill core (Type L)
 - SP Special _____
- OA Aluminum opposed blade damper (model suffix)
- Non-standard core:
 - CB 1/2 x 1/2 x 1 (13 x 13 x 25)
 - CC 1 x 1 x 1 (25 x 25 x 25)
 - Other _____

Dimensions are in inches (mm).



1 1/4" (32) FACE BORDER



1/4" (6) CONCEALED STEEL ANGLE FRAME

SCHEDULE TYPE:

PROJECT:

ENGINEER:

CONTRACTOR:

DATE

B SERIES

SUPERSEDES

DRAWING NO.

2 - 1 - 11

5100

5100-48/6-30-03

51EC-2