



**Project:** 15-004 - VA Castle Point Relocation of SPS NY  
**Submittal ID:** 00004  
**Spec Section:** 23 34 00

## **Revise and Resubmit**

Review is for general conformance with plans and specifications given in the Contract Documents. Contractor is solely responsible for dimensions, quantities, performance, safety, coordination with other work, and all other requirements of the Contract Documents. Review does not authorize changes to the Contract unless stated specifically in a separate letter or Change Order.

**Reviewed By:** Bob Maxwell  
**Reviewed On:** 7/3/2018  
**Apogee Consulting Group, P.A.**

### COMMENTS:

18-EF3 has incorrect cfm and static. Drawings show 18-EF-3 is 300 cfm @ 0.25". Reselect fan.

# LETTER OF TRANSMITTAL

Nordstrom Contracting  
 Consulting Corp  
 36 Thiells Mt. Ivy Rd.  
 Pomona, NY 10970

JUNE 26, 2018  
 Project: VA620A4-17-111  
 Relocate SPS

To: Apogee Consulting Group, PA Attention: Cullen S. Keen AIA

1151 Kildaire Farm Road

Cary, NC 27511

**HVAC EQUIPMENT SUBMITTAL # 1  
 (AS NOTED IN "Description" BELOW)**

Gentlemen;

We are sending you  Herewith  Delivered by Hand  Under Separate Cover  Via **ELECTRONIC**

Plans  Prints  Shop Dwgs  Samples  Specifications  Other **Product Documents**

Copies	Item	# Pages	Description
1	1	57	TRANE AHU & AIR-COOLED CONDENSING UNITS
1	2	22	LG ELECTRONICS - SPLIT SYSTEM
1	3	18	PURE HUMIDIFIER CO. - STEAM HEAT HUMIDIFIER
1	4	6	<b>LOREN COOK - CENTRIFRUGAL WALL FANS</b>
1	5	9	NAILOR INDUSTRIES - SINGLE DUCT VAV UNITS
1	6	12	NAILOR INDUSTRIES - REGISTERS, GRILLS & DIFFUSERS
1	7	9	AIRFLOW DIRECTION INC. - VISUAL PRESSURE INDICATOR
			THIS ATTACHED IS APPROVED FOR SUBMITTAL BY NORDSTROM CONTRACTING

The Above Listed Items are transmitted as indicted below:

Return By Date: **ASAP**

Approval  As Requested  For Your Use  For Construction

Approved As Noted  Submit \_\_\_\_\_ Copies for Record Distribution

Returned for Correction, Revise & Resubmit  Coordination (Should the attached be in conflict with your work, advise immediately)

For Your Files  Other: \_\_\_\_\_

For Bids Due \_\_\_\_\_

Remarks: \_\_\_\_\_

Copies W ( ) W/O(**X**)

Enclosures: Timothy Starks

NCC FIELD FILE

\_\_\_\_\_  
 \_\_\_\_\_

Oscar Nordstrom, President



June 13, 2018

Mr. Michael Houghton  
M. H. Heating & Cooling, LLC  
Wallkill, New York

Re: **Submittal for Approval**  
**VA Hudson Valley Healthcare Systems**  
**Relocate SPS**  
**Castle Point, NY**

Dear Mr. Houghton:

In reference to the above project, here is a set of submittal drawings for:

**Loren Cook – Centrifugal Wall Fans – Spec 233400**

The equipment in this submittal is being held for construction, pending your approval and release. Please return one set of submittal drawings to our office.

We thank you for your order and appreciate this opportunity to be of service.

Regards,

R.F. Peck Co., Inc.

A handwritten signature in black ink, appearing to read "Kyle Mead". The signature is written in a cursive style with a long, sweeping underline.

Kyle Mead  
Enclosures



22 Computer Drive - West  
Albany, NY 12205  
Phone (518) 869-3541

## Equipment Submittal

Project	VA Hudson Valley Healthcare Systems Relocate SPS Castle Point, NY
Engineer	RPA Design Charlotte, NC
Contractor	M. H. Heating & Cooling, LLC Wallkill, NY
Submitted by	Kyle Mead/dk R. F. Peck Co., Inc. Albany, New York Date: June 11, 2018

Manufacturer's Representatives for  
Heating, Ventilating and  
Air Conditioning Equipment

Contents: Loren Cook – Centrifugal wall Fans - Spec 233400

Note: Based on Contract Drawings Dated 5.5.2017



# COOK



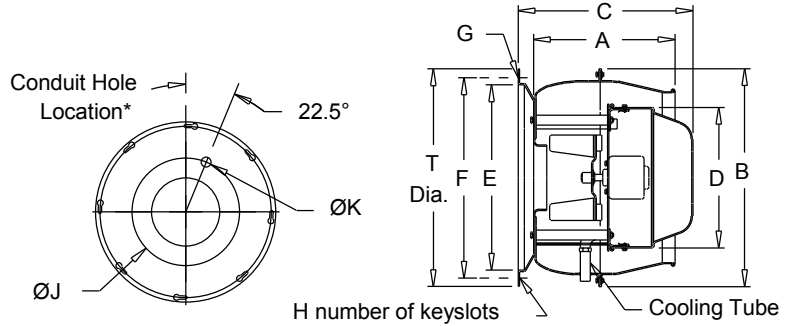
MARK: 18-EF-2
PROJECT: CASTLE POINT RELOCATE SPS
DATE: 6/11/2018

## ACWD

### Centrifugal Exhaust Ventilator Wall Mounted/Direct Drive

#### STANDARD CONSTRUCTION FEATURES:

All aluminum housing - Backward inclined all aluminum wheel - Two piece top cap with stainless steel quick release latches (sizes 120 - 245) - Mounting flange with keyslots and templates - Birdscreen - Permanently lubricated ball bearing motor - Corrosion resistant fasteners - Transit tested packaging. Note: \*Conduit hole location as viewed from fan side.



#### Performance

Qty	Catalog Number	Flow (CFM)	SP (inwc)	Fan RPM	Input Watts	FEG
1	100W10DL	225	.250	1100	87	n/a(<1HP)

Altitude (ft): 292 Temperature (F): 70

#### Motor Information

HP	RPM	Volts/Ph/Hz	Enclosure	TOL
1/25	1050	115/1/60	ODP -SE	Yes

#### Sound Data Inlet Sound Power by Octave Band

1	2	3	4	5	6	7	8	LwA	dBA	Sones
64	61	68	55	51	49	45	47	62	50	5.7

#### Accessories:

- DISCONNECT NEMA 1
- BD-10 DAMPER
- FAN SPEED CONTROLLER 5 AMP 120 VOLT

#### Dimensions (inches)

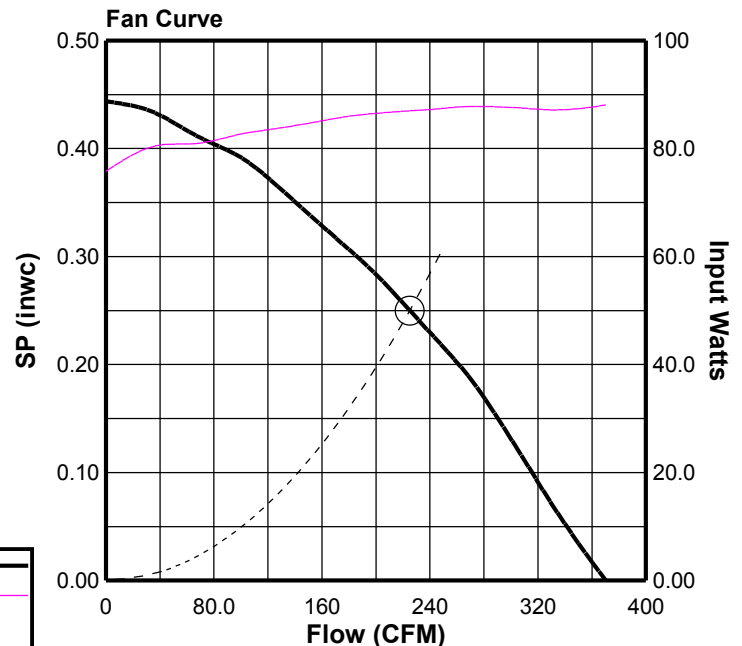
A	14-7/8
B	21-1/8
C	16
D	16-3/4
E Square	10
E Round	10
F	19-3/4
G Dia.	3/8
H Num.	4
J Dia.	12-3/8

K Dia	7/8
T Dia.	21-1/4

NOTE: Accessories may affect dimensions shown.

Weight(lbs)***	Shipping	34	Unit	26
----------------	----------	----	------	----

\*\*\*Includes fan, motor & accessories.





# COOK



MARK: 18-EF-3

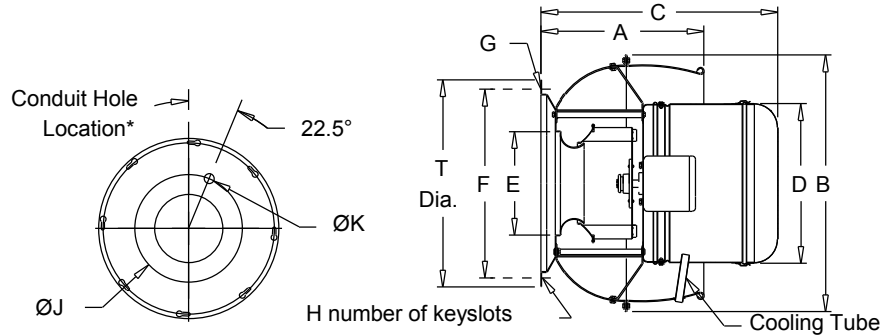
PROJECT: CASTLE POINT RELOCATE SPS

DATE: 6/11/2018

## ACWD

### Centrifugal Exhaust Ventilator Wall Mounted/Direct Drive

**STANDARD CONSTRUCTION FEATURES:**  
All aluminum housing - Backward inclined all aluminum wheel - Two piece top cap with stainless steel quick release latches (sizes 120 - 245) - Mounting flange with keyslots and templates - Birdscreen - Permanently lubricated ball bearing motor - Corrosion resistant fasteners - Transit tested packaging. Note: \*Conduit hole location as viewed from fan side.



#### Performance

Qty	Catalog Number	Flow (CFM)	SP (inwc)	Fan RPM	Power (HP)	FEG
1	101W15D	775	.200	1550	.106	n/a(<1HP)

Altitude (ft): 292 Temperature (F): 70

#### Motor Information

HP	RPM	Volts/Ph/Hz	Enclosure	TOL
1/8	1550	115/1/60	ODP -SE	Yes

#### Sound Data Inlet Sound Power by Octave Band

1	2	3	4	5	6	7	8	LwA	dBA	Sones
68	72	77	69	62	58	53	47	71	60	9.7

#### Accessories:

- DISCONNECT NEMA 1
- BD-10 DAMPER
- FAN SPEED CONTROLLER 5 AMP 120 VOLT

#### Dimensions (inches)

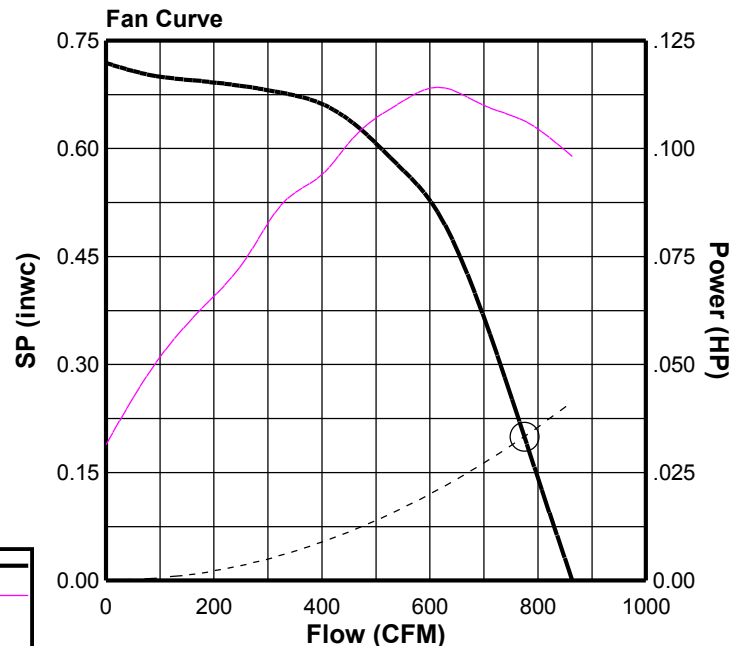
A	13-7/16
B	25-3/16
C	21-3/8
D	16-3/4
E Square	10
E Round	10
F	19-3/4
G Dia.	3/8
H Num.	4
J Dia.	12-3/8

K Dia.	7/8
T Dia.	21-1/4

NOTE: Accessories may affect dimensions shown.

Weight(lbs)***	Shipping	34	Unit	24
----------------	----------	----	------	----

\*\*\*Includes fan, motor & accessories.





## BD

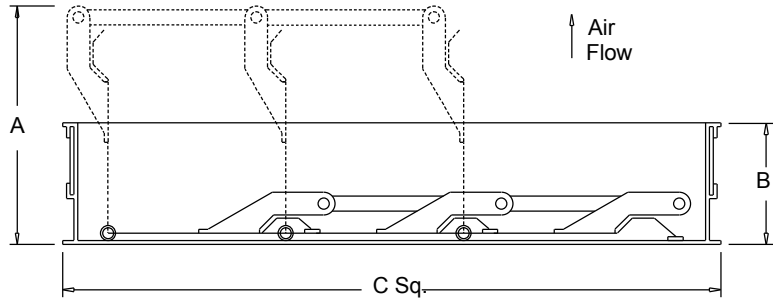
### Gravity Backdraft Damper

#### STANDARD CONSTRUCTION FEATURES:

.02 Aluminum blades - .06 aluminum frame -  
 Aluminum hinge pins - Nylon bushings.

#### Note:

Sizes 36 thru 60 are shipped as 2 panels.  
 Sizes 66 and 78 are shipped as 6 panels.  
 These may require assembly.



#### Dimensions (inches)

Mark	Qty	Description	A Max.	B	C Sq.	# Panels
18-EF-2	1	BD-10 DAMPER	5-3/16	1-7/8	9-3/4	1
18-EF-3	1	BD-10 DAMPER	5-3/16	1-7/8	9-3/4	1



## FSC

### Fan Speed Controls

#### STANDARD CONSTRUCTION FEATURES:

**PRODUCT DESCRIPTION** - Through the "Quadrac" integrated semi-conductor device it is now possible to offer this system with many advantages. Fewer semi-conductor parts mean greater reliability and the passivation process used in the manufacture of the semi-conductor insures long life.

Printed circuit construction eliminates wiring difficulties and guarantees workmanship.

All of these factors serve to offer the most important of all features - quality.

**SPEED CONTROL** - Positive Off/On action in the control dial. Speed range set to the customer's requirements. **CONTROL RATING** - 120 volts, 60 cycles, 1 phase. Maximum ambient temperature - 120 degree F (5 AMP, 10 AMP, 15 AMP). 220/240 volt, 50/60 cycles, 1 phase. Maximum ambient temperature - 120 degree F (5 AMP, 10 AMP). 220/240 volt model not UL listed. Fan cannot have UL listing if furnished with prewired 220/240 volt FSC. 277 volt, 60 cycles, 1 phase.

Maximum ambient temperature - 120 degree F (5 AMP). **WARNING** - Power must be turned off before installing this unit. **STANDARD INSTALLATION** - Fits any standard single gang box.

Turn off power and connect the two wires on the control to the two switch wires in the usual manner. The connection box is not supplied. **SPECIAL FEATURES** - Complete range control, solid state "Quadrac" integrated circuitry, solid state construction for long reliable operating life, saves on electric bills.

#### Dimensions (inches)

Mark	Qty	Description
18-EF-2	1	FSC 5 AMP 120 VOLT
18-EF-3	1	FSC 5 AMP 120 VOLT

