

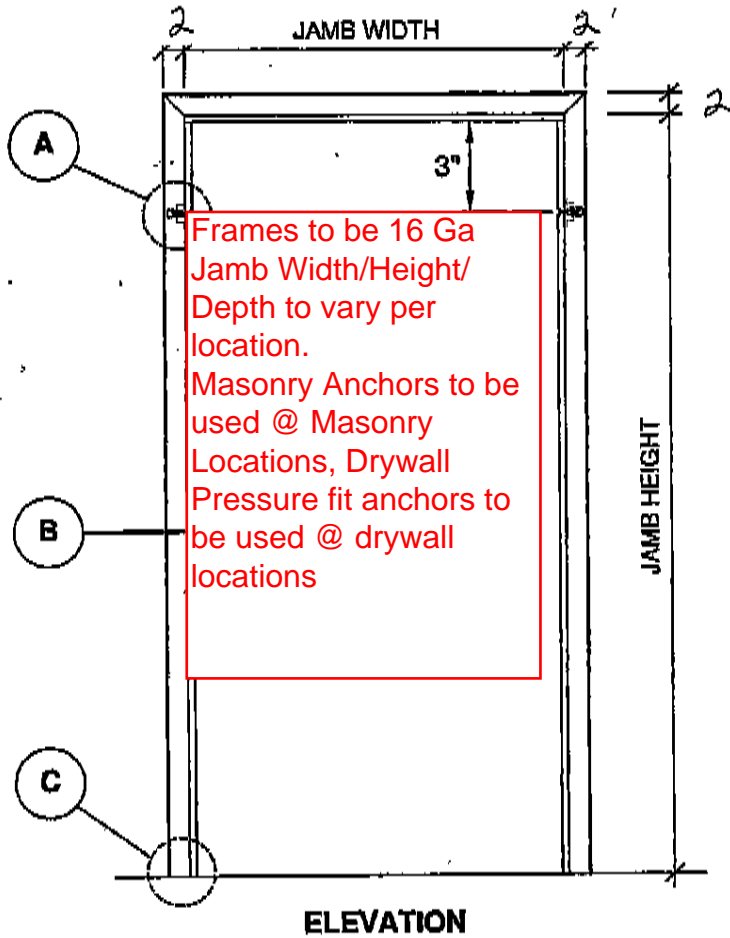
ABS SALES COMPANY, INC.

418 Saw Mill River Rd
YONKERS, NEW YORK 10701
(914) 963-6804 FAX (914) 963-6824

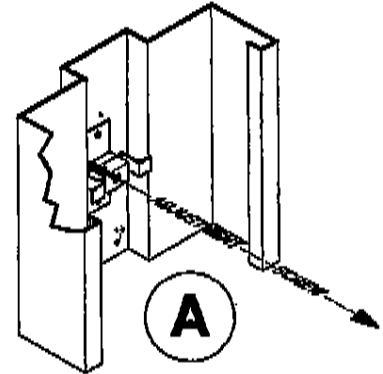
TECHNICAL DATA SHEET

TYPICAL KNOCKED DOWN (KD) HOLLOW METAL FRAME

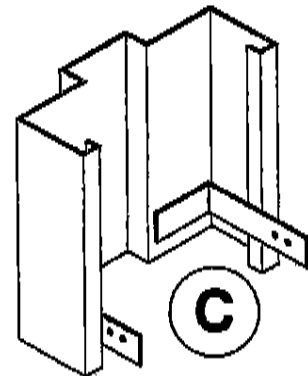
20, 18 OR 16 GAUGE GALVANNEAL A40



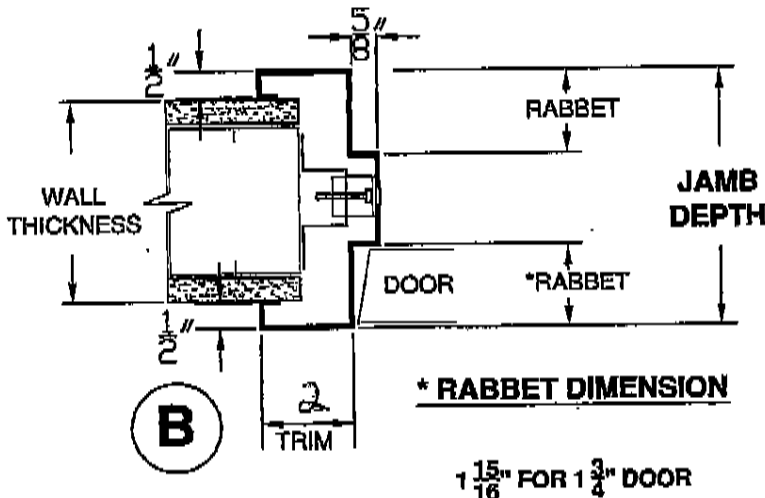
Frames to be 16 Ga
Jamb Width/Height/
Depth to vary per
location.
Masonry Anchors to be
used @ Masonry
Locations, Drywall
Pressure fit anchors to
be used @ drywall
locations



**PRESSURE FIT ANCHOR
W/ ADJUSTMENT SCREW
(1) PER JAMB**

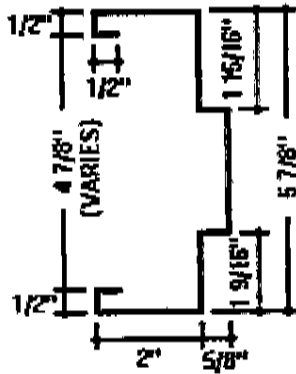


**STRAP ANCHORS
@ BOTTOM
FOR # 8 S.M. SCREWS BY OTHERS**



*** RABBET DIMENSION**

1 15/16" FOR 1 3/4" DOOR

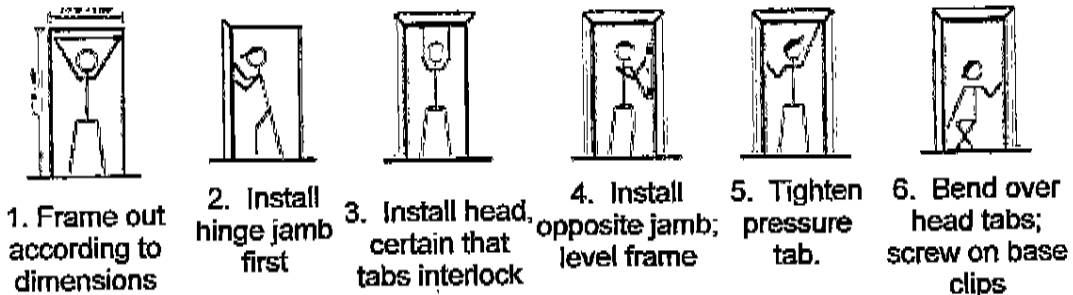


Standard throat 4 7/8"

Other Throat Sizes In Stock:
 3 3/4, 4 5/8, 4 7/8, 6 1/8, 7 1/4,

IF OUR STOCK THROAT SIZES DO NOT MEET YOUR NEEDS: SEE PAGE 6 FOR OUR FULL LINE OF ADJUSTABLE FRAMES

- Frames shall be manufactured for ABS Sales Company, Inc., Yonkers, New York.
- Prime quality 16 gage roller leveled cold-rolled galvanized steel. *Note: 14 gage 4 7/8 also available.*
- Head and jamb trim accurately mitered to achieve a precision hairline joint assembly.
- Pressure-fit adjustable anchors provide rigidity in drywall installation.
- Dust boxes for masonry applications, wire anchors on request.
- *Optional:* UL label service.
- *Optional:* Factory welded frames.
- **Hardware Preparation**
- Frames for 1 3/4" doors.
- 3 - 4 1/2" Template Hinge Cutouts
- 4 7/8" ASA strike plate.
- Hole punched for door silencers.



The Six Basic Requirements For A Fire Rated Opening

