

Technical Product Specifications

Bathroom Vent - 3" (7.6 cm) Supurr-Vent® Louvered Vent Hood, pipe & collar

Model No.	Description	Color
HS3W/48	Hood	White
HS3B/48	Hood	Brown
SVHAW3	Hood/pipe assem.	White
SVHAB3	Hood/pipe assem.	Brown
SVHUW3	Hood/pipe unassem.	White
SVHUB3	Hood/pipe unassem.	Brown

Performance Data

for all plastic molded 3" (7.6 cm) Bath Fan Vents

Hood

- Polypropylene
- Melting point: 325° F+ (163° C approx.)
- UV Inhibitor added

Pipe

- Aluminum

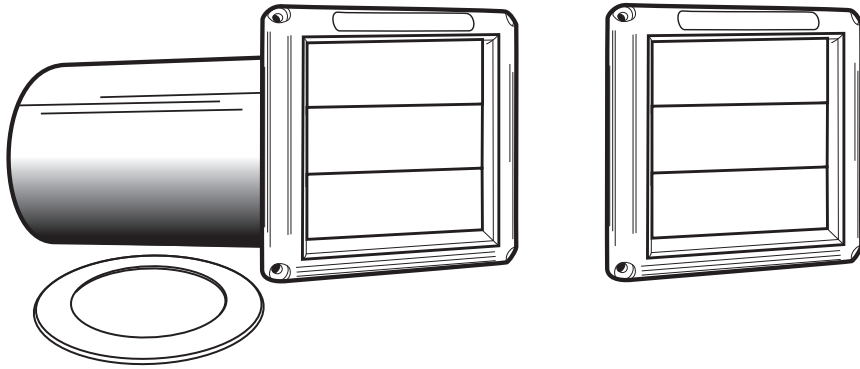
Collar

- Styrene

General Information

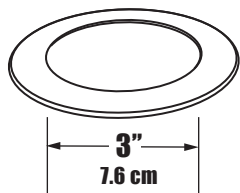
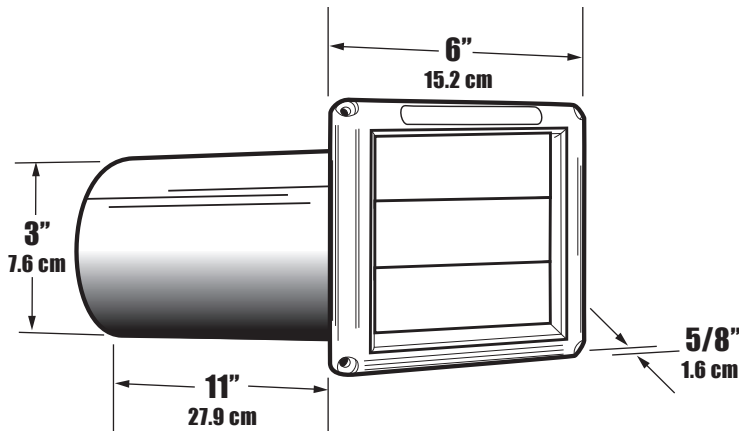
- 3" (7.6 cm) dia. opening
- quick, easy installation
- louvered construction helps prevent wind and rain from entering vent
- opens with ease for maximum airflow
- durable weather resistant
- curved louvers for quieter operation

Hood Dia.	CFM	p/d in/w.c.
3" (7.6 cm)	50	.09
3" (7.6 cm)	75	.13
3" (7.6 cm)	100	.2
3" (7.6 cm)	125	.23
3" (7.6 cm)	150	.20



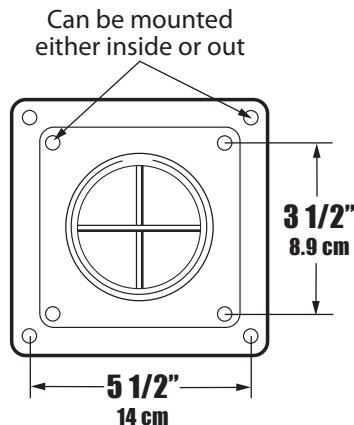
SVHAW3, SVHAB3, SVHUW3, SVHUB3

HS3W/48, HS3B/48

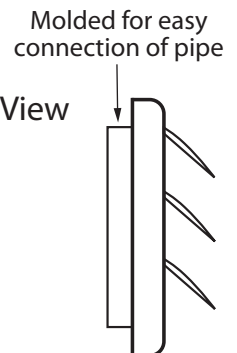


Plastic collar

Rear View

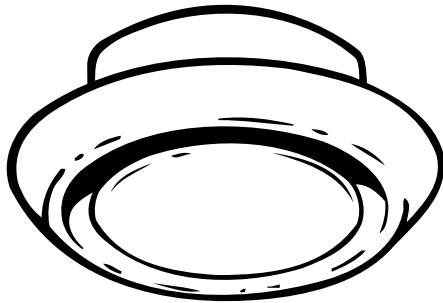


Side View



Technical Product Specifications

Round Diffuser - 4" & 6" plastic adjustable diffuser grills designed for suspended ceiling applications



TFG4, TFG6, TFGX4, TFGX6

Model No.	Description	Color
TFG4	4" Diffuser	White
TFG6	6" Diffuser	White
TFGX4	4" Diffuser in a bag	White
TFGX6	6" Diffuser in a bag	White

Performance Data

for round plastic adjustable diffusers

Diffuser

- Calcium filled Polypropylene
- Melting point: 325° F+

Note

- we recommend using Supurr-Flex[®] pure aluminum flexible metallic duct

Technical Data

- each 4" diameter installation is designed to handle areas up to 60 square feet
- each 6" diameter installation is designed to handle areas up to 150 square feet

General Information

- ideal for suspended ceilings
- designed for suspended ceiling exhaust of heating and cooling applications
- easy to adjust and install
- unique locking feature requires no studs for installation

Model No.	A	B	use flex duct
TFG4	3 7/8"	5 7/8"	4" dia.
TFG6	5 7/8"	7 7/8"	6" dia.
TFGX4	3 7/8"	5 7/8"	4" dia.
TFGX6	5 7/8"	7 7/8"	6" dia.

