

Nordstrom Contracting
 Consulting Corp
 36 Theills Mt Ivy Rd
 Pomona, NY 10970

LETTER OF TRANSMITTAL

Project# 620-13-117
 ADA Bathroom Renovations

4/5/2016

To: Mark Cooperman
 General Engineer
 Montrose Campus
 2094 Albany Post Rd
 Montrose, NY 10548
 914-737-4400 ex 2615

Submittal # 4

We are sending you Herewith Delivered by Hand Under Separate Cover Via ELECTRONIC

Plans Prints Shop Dwgs Samples Specifications Other _____

Copies	Item	# Pages	Description
<u>Division 26- Electrical</u>			
<u>Section 260519- Low Voltage Electrical Conductors and Cables</u>			
1	1	3	Nurse Call- Edwards- Call For Assistance Kit- 6538-G5
			** Kit consists of Edwards 6536-GF Horn/Strobe- 592 Transformer & 6537 Pullcord
			** This is same make & model installed in all other bathroom renovations we've completed at Montrose & Castle Point
<u>Section 260526- Grounding & Bonding for Electrical Systems</u>			
			N/A
<u>Section 260533- Raceway and Boxes for Electrical Systems</u>			
	2	6	Power-Strut - Kindorf- Various sizes and types- TBD in field per code and condition
	3	3	Thomas & Betts- Steel City- Metallic boxes & covers- Various sizes and types- TBD in field- Per code & condition
	4	2	Allied- E-Z Pull EMT- Size TBD in field per code & condition
	5	2	ETP- EMT Steel Compression Connectors & Couplings. Sizes TBD in field per code & condition
	6	2	Minerallac- Conduit Hangers. Sizes TBD in field per code and condition
	7	2	Threaded Rod & threaded rod accessories- fender washers, washers, nuts and couplings. Sizes TBD in field per code & condition
	8	1	Ideal- Twister Wire Connectors- Sizes/colors TBD in field per code & condition
<u>Section 260923- Lighting Controls</u>			
	9	2	WattStopper- DW-100 Dual Technology Wall Occupancy Sensor- White
	10	2	WattStopper- DW-300 Low voltage dual technology ceiling sensor- White

			<u>Section 262726- Wiring</u>
	11	2	Southwire- Individual Conductors- Size/Color TBD determined in field- Per code & condition
	12	2	Southwire- Lite- Whip pre-assembled 6' 14AWG - LWL-143
			<u>Section 262921- Enclosed switches & circuit breakers</u>
			N/A
			<u>Section 265100- Lighting</u>
	13	6	Lithonia- 2x2 troffers- submitting a few options in case availability problems. Different suppliers stock different model troffers.

The Above Listed Items are transmitted as indicted below:

Return By Date: SEE BAR CHART

Approval As Requested For Your Use For Construction

 Approved As Noted Submit _____ Copies for Record Distribution

Remarks: _____

FEATURES & SPECIFICATIONS

INTENDED USE — Specification premium, high performance, static T8 luminaires provide general illumination for recessed applications; ideal for restricted plenum spaces. **Certain airborne contaminants can diminish integrity of acrylic.** [Click here for Acrylic Environmental Compatibility table for suitable uses.](#)

Attributes: Designed exclusively for use with T8 lamps, electronic ballasts and sockets.

CONSTRUCTION — Smooth hemmed sides and smooth, inward formed end flanges for safe handling. Lighter weight fixture allows safe, easy installation.

Standard steel door frame has superior structural integrity with premium extruded appearance and precision flush mitered corners. Steel door allows easy lens replacement without frame disassembly (for lenses up to .156" thick). Powder-painted, steel latches provide easy, secure door closure.

Superior mechanical light seal requires no foam gasketing. Integral T-bar clips secure fixture to T-bar system. Housing formed from cold-rolled steel. Acrylic shielding material 100% UV stabilized. No asbestos is used in this product.

US PATENTS: 6,210,025; 6,231,213; 6,213,625; 2,288,471.

Finish: Five-stage iron-phosphate pretreatment ensures superior paint adhesion and rust resistance. Painted parts finished with highly reflective matte white enamel.

OPTICS — A12 lens features reverse apex technology for superior lamp obscuration and improved visual comfort.

ELECTRICAL — Standard ballast is electric, thermally protected, resetting, Class P, HPF, non-PCB, UL Listed, CSA certified ballast, universal voltage and sound rated A.

Luminaire is suitable for damp locations. AWM, TFN or THHN wire used throughout, rated for required temperatures.

LISTINGS — Standard: UL. Optional: Canada — CSA or cUL; Mexico — NOM.

WARRANTY — 1-year limited warranty. Complete warranty terms located at www.acuitybrands.com/CustomerResources/Terms_and_conditions.aspx

Note: Actual performance may differ as a result of end-user environment and application.

Specifications subject to change without notice.

Catalog Number
Notes
Type

2SP8 G 2 U316 A12 120 GESB



Application Premium T8 Troffer

SP8 2'X2'

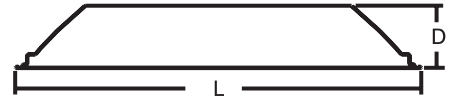


COMPACT FLUORESCENT, STRAIGHT AND U LAMPS

2, 3, 4 Lamps
CF or T8 only

Specifications

Length: 24 (61.0)
Width: 24 (61.0)
Depth: 3-11/16 (9.4)
Weight: 15 lbs (7 kg)



All dimensions are inches (centimeters) unless otherwise indicated.

ORDERING INFORMATION

For shortest lead times, configure product using **standard options (shown in bold)**.

Example: 2SP8 G 3 U31 A12125 MVOLT 1/3 GEB10IS

2SP8					
Series	Trim type	Number of lamps	Lamp type	Door	Diffuser
2SP8 2' wide	G Grid F Overlapping flanged	2	17 17W T8 (24")	(blank) Flush steel, white	A12 #12 pattern acrylic, reverse apex
		3	U31 31W T8 (24")	FN Flush aluminum, natural	A12125 #12 pattern acrylic, .125" thick
		4¹	U316 32W T8 U (6" leg. 24") ²	FM Flush aluminum, matte black	RA125 #12 pattern acrylic, .125" thick, reverse apex
		Not included.	CF40 40W TT5 (24")	FW Flush aluminum, white RN Regressed aluminum, natural RM Regressed aluminum, matte black RW Regressed aluminum, white	A19 #19 pattern acrylic, .156" thick A15 #15 pattern acrylic, .2" thick PC15 1/2" x 1/2" x 1/2" plastic cube louver, silver PC25 1-1/2" x 1-1/2" x 1" plastic cube louver, silver w/flange PC35 3/4" x 3/4" x 1/2" plastic cube louver, silver
Voltage	Options				
120	1/4	One 4-lamp ballast		GMF Internal slow-blow fuse ⁷	
277	1/3	One 3-lamp ballast		LST Tandem-wired fixture pairs (shared ballasts)	
347	GEB10IS	Electronic ballast, ≤ 10% THD, instant start		PWS1836 6' prewire, 3/8" dia., 18-gauge, 1-circuit	
MVOLT³	GEB10RS	Electronic ballast, ≤ 10% THD, rapid start		JP Palletized and stretch-wrapped without individual cartons, grid trim only	
Others available.	GEB10PS	Electronic ballast, < 10% THD, programmed start ⁴		CSA CSA Certified	
	EL	Emergency battery pack (nominal 500 lumens) ⁵		NOM NOM Certified	
	EL14	Emergency battery pack (nominal 1400 lumens) ⁶			
	GLR	Internal fast-blow fuse ⁷			

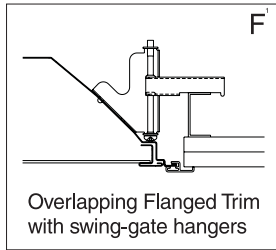
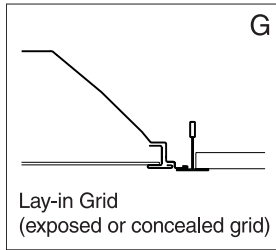
Notes

- Four-lamp models available with 17W straight tubes only.
- Not available on 3-lamp models. Use U31.
- MVOLT standard for 120-277V applications, 50-60Hz operation. Some options require voltage specified.
- Not available with compact fluorescent lamps – use GEB10RS.
- Must use 1/4 with 4-lamp 17W.
- Not available with 2 or 4 lamp 17W or 2 lamp U31 and CF40.
- Must specify voltage; 120 or 277.

SP8 2' x 2' Static T8 Troffer

MOUNTING DATA

Continuous row mounting of flanged units requires CRE and CRM trim options (see Options).

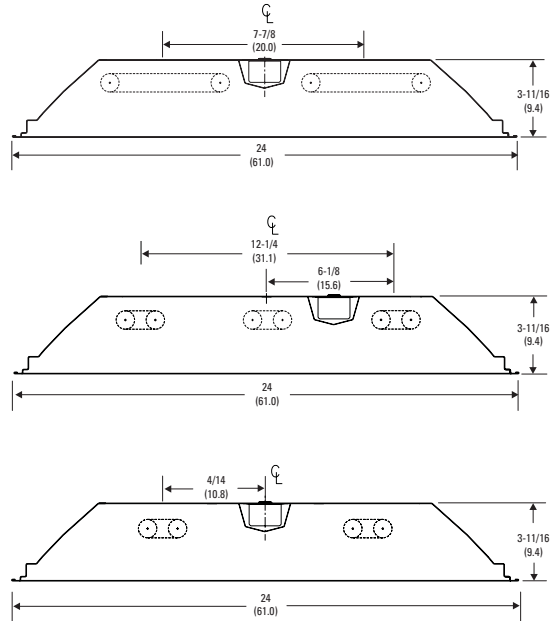


Notes

1 Recommended rough-in dimensions for F-trim fixtures: 24" x 24" (Tolerance is +1/4" or -0"). Swing-gate range 1-3/16" to 3-11/16". Swing-gate span 23-3/8" to 26-11/16". Fixture swing-gate points require additional 9/16" over nominal fixture height.

DIMENSIONS

All dimensions are inches (centimeters) unless otherwise indicated. Specifications subject to change without notice.



PHOTOMETRICS

Calculated using the zonal cavity method in accordance with IESNA LM41 procedure. Floor reflectances are 20%. Lamp configurations shown are typical. Full photometric data on these and other configurations available upon request.

2SP8 2CF40 A12*

Report LTL 7538RP

Lumens per lamp - 3150 – Lum. eff. - 86.0%

S/MH (along) 1.2 (across) 1.4

Coefficient of Utilization

Ceiling	80%			70%			50%		
Wall	70%	50%	30%	70%	50%	30%	50%	30%	10%
0	102	102	102	100	100	100	96	96	96
1	95	91	88	92	89	86	85	83	81
2	87	81	75	85	79	74	76	72	69
3	80	72	66	78	71	65	68	63	59
4	74	64	58	72	63	57	61	56	51
5	68	58	51	67	57	50	55	50	45
6	63	53	46	62	52	45	50	44	40
7	59	48	41	58	47	41	46	40	36
8	55	44	37	54	43	37	42	36	32
9	52	41	34	50	40	34	39	33	29
10	48	37	31	47	37	31	36	30	26

Zonal Lumens Summary

Zone	Lumens	%Lamp	%Fixture
0-30	1811	28.7	33.4
0-40	2989	47.5	55.2
0-60	4700	74.6	86.8
0-90	5418	86.0	100.0
90-180	0	0	0
0-180	5418	86.0	100.0

2SP8 2U31 A12*

Report LTL 7547

Lumens per lamp - 2800 – Lum. eff. - 75.4%

S/MH (along) 1.2 (across) 1.4

Coefficient of Utilization

Ceiling	80%			70%			50%		
Wall	70%	50%	30%	70%	50%	30%	50%	30%	10%
0	90	90	90	88	88	88	84	84	84
1	83	80	77	81	78	75	75	73	71
2	76	71	66	74	69	65	67	63	60
3	70	63	57	68	62	57	60	55	51
4	65	56	50	63	55	50	54	49	45
5	60	51	44	58	50	44	48	43	39
6	55	46	40	54	45	39	44	39	35
7	52	42	36	50	41	35	40	35	31
8	48	38	32	47	38	32	37	32	28
9	45	35	29	44	35	29	34	29	25
10	42	33	27	41	32	27	32	27	23

Zonal Lumens Summary

Zone	Lumens	%Lamp	%Fixture
0-30	1396	24.9	33.1
0-40	2302	41.1	54.5
0-60	3654	65.3	86.6
0-90	4220	75.4	100.0
90-180	0	0	0
0-180	4220	75.4	100.0

2SP8 2 U316 A12

Report LTL 8579

Lumens per lamp - 2600 – Lum. eff. - 72.8%

S/MH (along) 1.2 (across) 1.3

Coefficient of Utilization

Ceiling	80%			70%			50%		
Wall	70%	50%	30%	70%	50%	30%	50%	30%	10%
0	87	87	87	85	85	85	81	81	81
1	80	77	74	78	75	73	72	70	68
2	73	68	63	72	67	62	64	61	58
3	68	61	55	66	59	54	57	53	49
4	62	54	48	61	53	48	52	47	43
5	58	49	43	56	48	42	47	42	38
6	53	44	38	52	44	38	42	37	33
7	50	40	34	49	40	34	39	34	30
8	46	37	31	45	37	31	36	31	27
9	43	34	28	42	34	28	33	28	24
10	41	32	26	40	31	26	31	26	22

Zonal Lumens Summary

Zone	Lumens	%Lamp	%Fixture
0-30	1266	24.4	33.4
0-40	2059	39.6	54.4
0-60	3246	62.4	85.7
0-90	3787	72.8	100.0
90-180	0	0	0
0-180	3787	72.8	100.0

FEATURES & SPECIFICATIONS

INTENDED USE — Low-profile static luminaire provides general illumination for recessed applications; ideal for restricted plenum spaces. **Certain airborne contaminants can diminish integrity of acrylic.** [Click here for Acrylic Environmental Compatibility table for suitable uses.](#)

Attributes: Designed exclusively for use with T8 lamps, electronic ballasts and sockets.

CONSTRUCTION — Smooth hemmed sides and smooth, inward formed end flanges for safe handling. Lighter weight fixture allows for safe, easy installation.

Standard steel door frame has superior structural integrity with premium extruded appearance and precision flush mitered corners. Steel door allows easy lens replacement without frame disassembly (for lenses up to .156" thick). Powder painted, steel latches provide easy, secure door closure.

Superior mechanical light seal requires no foam gasketing. Integral T-bar clips secure fixture to T-bar system. Housing formed from cold-rolled steel. Acrylic shielding material 100% UV stabilized. No asbestos is used in this product.

Finish: Five-stage iron-phosphate pretreatment ensures superior paint adhesion and rust resistance. Painted parts finished with high-gloss, baked white enamel.

ELECTRICAL — Standard ballast is electronic, thermally protected, resetting, Class P, HPF, non-PCB, UL Listed, CSA certified ballast, universal voltage and sound rated A.

Luminaire is suitable for damp locations. AWM, TFN or THHN wire used throughout, rated for required temperatures.

LISTINGS — UL Listed (standard). CSA Certified or NOM Certified (see Options).

WARRANTY — 1-year limited warranty. Complete warranty terms located at www.acuitybrands.com/CustomerResources/Terms_and_conditions.aspx

US patents: 6,210,025; 6,231,213; 2,288,471.

Note: Actual performance may differ as a result of end-user environment and application.

Specifications subject to change without notice.

Catalog Number
Notes
Type

GT8F217A12120



General Purpose T8 Troffer

GT8 2'X2'

**COMPACT FLUORESCENT,
STRAIGHT AND U LAMPS**

2, 3 or 4 Lamps
CF or T8 only

Specifications

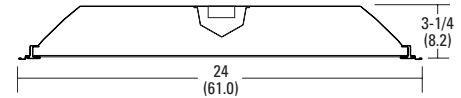
Length: 24 (61.0)

Width: 24 (61.0)

Depth: 3-1/4 (8.2)

Weight: 19 lbs (8.6 kg)

All dimensions are inches (centimeters) unless otherwise indicated.



ORDERING INFORMATION

For shortest lead times, configure products using **bolded options**.

Example: 2GT8 2 U316 A12 MVOLT GEB10IS

2GT8							
Series	Trim type	Number of lamps ¹	Lamp type	Door frame	Diffuser type	Voltage	Options
2GT8 2' wide	(blank) Grid F Overlapping flanged	2	17 17W T8 (24")	(blank) Flush steel, white	A12 #12 pattern acrylic	120	1/4 One 4-lamp ballast
		3	U31 31W T8 (24")	FN Flush aluminum, natural	A12125 #12 pattern acrylic, .125" thick	277	1/3 One 3-lamp ballast
		4 Not included	U316 32W T8 U (6" leg, 24") ²	FM Flush aluminum, matte black	A19 #19 pattern acrylic, .156" thick	347	GEB10IS Electronic ballast, <10% THD, instant start
			CF40 40W TTS (24") ²	FW Flush aluminum, white	A15 #15 pattern acrylic, .2" thick	MVOLT* Others available	GEB10RS Electronic ballast, <10% THD, rapid start
				RN Regressed aluminum, natural	PC15 1/2" x 1/2" x 1/2" plastic cube louver, silver		GEB10PS Electronic ballast, <10% THD, programmed start ⁵
				RM Regressed aluminum, matte black	PC25 1-1/2" x 1-1/2" x 1" plastic cube louver, silver w/ flange ³		EL Emergency battery pack (nominal 500 lumens)
				RW Regressed aluminum, white	PC35 3/4" x 3/4" x 1/2" plastic cube louver, silver		GLR Internal fast-blow fuse ⁶
							GMF Internal slow-blow fuse ⁶
							LST Tandem-wired fixture pairs (shared ballasts)
							PWS1836 6' prewire, 3/8" dia., 18-gauge, 1 circuit
							LP_ Lamped, specify lamp type and color
							JP Palletized and stretch-wrapped without individual cartons; grid trim only
							CSA CSA Certified
							NOM NOM Certified

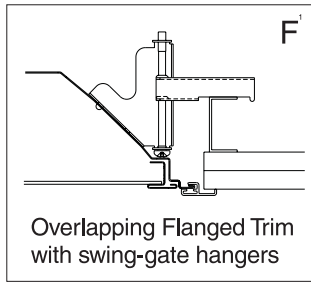
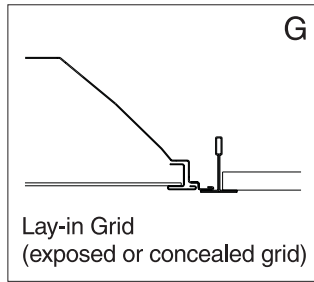
Notes

- 4-lamp models available with 17-watt straight tubes only.
- Not available on 3-lamp models. Use U31.
- Available with flush door frames only.
- MVOLT standard for 120-277V applications, 50-60 Hz operation. Some options require voltage specified.
- Not available with compact fluorescent lamps — use GEB10RS.
- Must specify voltage 120 or 277.

GT8 2'x2' Static T8 Troffer

MOUNTING DATA

Continuous row mounting of flanged units requires CRE and CRM trim options (see Options).

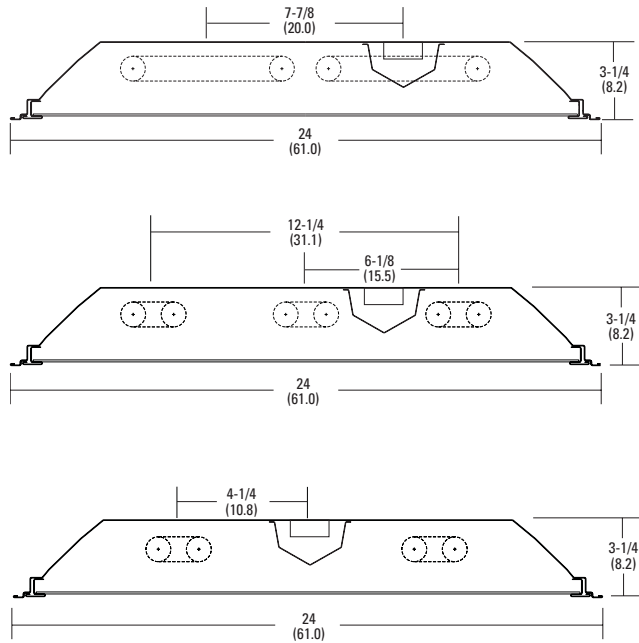


NOTE:

1 Recommended rough-in dimensions for F-trim fixtures 24"x24". (Tolerance is +1/4"-0"). Swing-gate range 1-3/16" to 3-15/16". Swing-gate span 23-3/8" to 26-11/16". Fixture swing-gate points require additional 1-1/16" over nominal fixture height.

DIMENSIONS

All dimensions are inches (centimeters) unless specified otherwise.



PHOTOMETRICS

Calculated using the zonal cavity method in accordance with IESNA LM41 procedure. Floor reflectances are 20%. Lamp configurations shown are typical. Full photometric data on these and other configurations available upon request.

2GT8 2CF40 A12

Report LTL 7533

Lumens per lamp - 3150 – Lum. eff. - 84.3%

S/MH (along) 1.2 (across) 1.4

Coefficient of Utilization

Ceiling	80%				70%				50%			
	Wall	70%	50%	30%	70%	50%	30%	70%	50%	30%	10%	
0	100	100	100	98	98	98	94	94	94			
1	92	89	85	90	87	84	83	81	78			
2	85	78	73	82	77	72	74	70	66			
3	78	69	63	76	68	62	66	60	56			
4	71	62	55	70	61	54	59	53	49			
5	66	56	48	64	55	48	53	47	42			
6	61	50	43	60	50	43	48	42	38			
7	57	46	39	55	45	38	44	38	33			
8	53	42	35	52	41	35	40	34	30			
9	49	39	32	48	38	32	37	31	27			
10	46	36	29	45	35	29	34	29	25			

Zonal Lumens Summary

Zone	Lumens	%Lamp	%Fixture
0-30	1664	26.4	31.3
0-40	2736	43.4	51.5
0-60	4514	71.6	85.0
0-90	5309	84.3	100.0
90-180	0	0	0
0-180	5309	84.3	100.0

2GT8 2U316 A12

Report LTL 7534

Lumens per lamp - 2600 – Lum. eff. - 72.9%

S/MH (along) 1.2 (across) 1.4

Coefficient of Utilization

Ceiling	80%				70%				50%			
	Wall	70%	50%	30%	70%	50%	30%	70%	50%	30%	10%	
0	87	87	87	85	85	85	81	81	81			
1	80	77	74	78	75	72	72	70	68			
2	73	68	63	71	66	62	64	60	57			
3	67	60	54	65	59	54	57	52	49			
4	62	54	48	60	53	47	51	46	42			
5	57	48	42	56	47	42	46	41	37			
6	53	44	37	52	43	37	42	36	32			
7	49	40	34	48	39	33	38	33	29			
8	46	36	30	45	36	30	35	30	26			
9	43	33	28	42	33	27	32	27	23			
10	40	31	25	39	30	25	30	25	21			

Zonal Lumens Summary

Zone	Lumens	%Lamp	%Fixture
0-30	1191	22.9	31.4
0-40	1950	37.5	51.4
0-60	3220	61.9	84.9
0-90	3793	72.9	100.0
90-180	0	0	0
0-180	3793	72.9	100.0

2GT8 2U31 A12

Report LTL 8352

Lumens per lamp - 2800 – Lum. eff. - 76%

S/MH (along) 1.2 (across) 1.4

Coefficient of Utilization

Ceiling	80%				70%				50%			
	Wall	70%	50%	30%	70%	50%	30%	70%	50%	30%	10%	
0	91	91	91	89	89	89	85	85	85			
1	80	77	74	78	76	73	75	73	71			
2	71	66	62	69	65	61	67	63	60			
3	63	57	52	62	56	52	59	55	51			
4	56	50	45	55	49	44	53	48	44			
5	50	44	39	49	43	39	48	42	38			
6	45	39	34	45	38	34	43	38	34			
7	41	35	30	41	35	30	40	34	30			
8	38	31	27	37	31	27	36	31	27			
9	35	29	24	34	28	24	33	28	24			
10	32	26	22	32	26	22	31	26	22			

Zonal Lumens Summary

Zone	Lumens	%Lamp	%Fixture
0-30	1312.2	23.4	30.7
0-40	2162.1	38.6	50.6
0-60	3628.5	64.8	84.8
0-90	4277	76	100
90-180	0	0	0
0-180	4277	76.4	100.0

FEATURES & SPECIFICATIONS

INTENDED USE — Low-profile static luminaire provides general illumination for recessed applications; ideal for restricted plenum spaces. **Certain airborne contaminants can diminish integrity of acrylic.** [Click here for Acrylic Environmental Compatibility table for suitable uses.](#)

ATTRIBUTES — Designed exclusively for use with T8 lamps, electronic ballasts and sockets.

CONSTRUCTION — Smooth hemmed sides and smooth, inward formed end flanges for safe handling. Lighter weight fixture allows for safe, easy installation.

Standard steel door frame has superior structural integrity with premium extruded appearance and precision flush mitered corners. Steel door allows easy lens replacement without frame disassembly (for lenses up to .156" thick). Powder painted, steel latches provide easy, secure door closure.

Superior mechanical light seal requires no foam gasketing. Integral T-bar clips secure fixture to T-bar system. Housing formed from cold-rolled steel. Acrylic shielding material 100% UV stabilized. No asbestos is used in this product.

FINISH — Five-stage iron-phosphate pretreatment ensures superior paint adhesion and rust resistance. Painted parts finished with high-gloss, baked white enamel.

ELECTRICAL SYSTEM — Standard ballast is electronic, thermally protected, resetting, Class P, HPF, non-PCB, UL Listed, CSA certified ballast, universal voltage and sound rated A.

Luminaire is suitable for damp locations. AWM, TFN or THHN wire used throughout, rated for required temperatures.

MVOLT ballasts are NEMA Premium®/CEE qualified ballasts. Full light output - reduced energy. Less than 10% THD. Multi-volt operation, 120-277V.

LISTING — Standard: UL.

WARRANTY — Fixtures, including ballasts, are covered by Lithonia Lighting 24-month warranty against mechanical defects in manufacture.

US patents: 6,210,025; 6,231,213; 2,288,471.

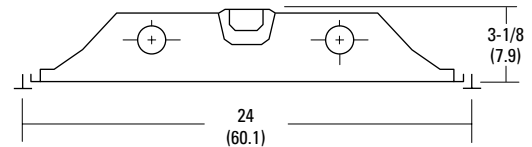
Specifications subject to change without notice.

Catalog Number
Notes
Type

GT2U MV

Contractor Select

Troffers



GT Specifications

Length: 48 (121.9)
Width: 24 (60.1)
Depth: 3-1/8 (7.9)

2GT Specifications

Length: 24 (60.1)
Width: 24 (60.1)
Depth: 3-1/8 (7.9)

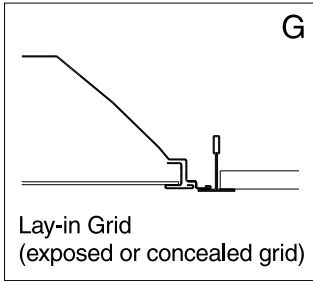
All dimensions are inches (centimeters).

ORDERING INFORMATION

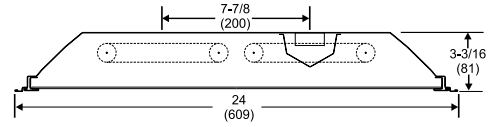
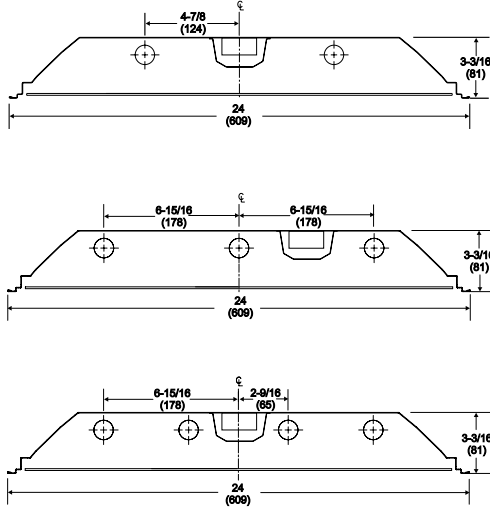
Catalog Number	UPC	Description	# of Lamps	Wattage	Voltage	Ballast Type	Pre-Wired	# of Ballasts	Lamp Type	Lamp Included	Pallet Qty.
GT2 MV	745975081714	2x4 troffer	2	32	120-277	NEMA Premium, instant start	N	1	N/A	N	28
GT3 2MV	745975083510	2x4 troffer	3	32	120-277	NEMA Premium, instant start	N	2	N/A	N	28
GT3 MV	745975081721	2x4 troffer	3	32	120-277	NEMA Premium, instant start	N	1	N/A	N	28
GT3L MV	745975081684	2x4 troffer	3	32	120-277	NEMA Premium, instant start	N	1	735	Y	28
GT3L41 MV	745975083541	2x4 troffer	3	32	120-277	NEMA Premium, instant start	N	1	741	Y	28
GT3LW MV	745975081882	2x4 troffer	3	32	120-277	NEMA Premium, instant start	Y	1	735	Y	28
GT4 2MV	745975081998	2x4 troffer	4	32	120-277	NEMA Premium, instant start	N	2	N/A	N	28
GT4 MV	745975081776	2x4 troffer	4	32	120-277	NEMA Premium, instant start	N	1	N/A	N	28
GT4L MV	745975081912	2x4 troffer	4	32	120-277	NEMA Premium, instant start	N	1	735	Y	28
GT4L41 MV	745975083565	2x4 troffer	4	32	120-277	NEMA Premium, instant start	N	1	741	Y	28
GT4L41W MV	745975083534	2x4 troffer	4	32	120-277	NEMA Premium, instant start	Y	1	741	Y	28
GT4LW MV	745975081707	2x4 troffer	4	32	120-277	NEMA Premium, instant start	Y	1	735	Y	28
GT2U MV	745975081967	2x2 troffer	2	32-U lamp	120-277	NEMA Premium, instant start	N	1	N/A	N	56

Troffers

MOUNTING DATA



DIMENSIONS



PHOTOMETRICS

Calculated using the zonal cavity method in accordance with IESNA LM41 procedure. Floor reflectances are 20%. Lamp configurations shown are typical. Full photometric data on these and other configurations available upon request.

GT2U MV

Report LTL 7534

Lumens per lamp - 2600 – Lum. eff. - 72.9%

S/MH (along) 1.2 (across) 1.4

Coefficient of Utilization

Ceiling	80%				70%				50%	
	Wall	70%	50%	30%	70%	50%	30%	50%	30%	10%
0	87	87	87	85	85	85	81	81	81	81
1	80	77	74	78	75	72	72	70	68	
2	73	68	63	71	66	62	64	60	57	
3	67	60	54	65	59	54	57	52	49	
4	62	54	48	60	53	47	51	46	42	
5	57	48	42	56	47	42	46	41	37	
6	53	44	37	52	43	37	42	36	32	
7	49	40	34	48	39	33	38	33	29	
8	46	36	30	45	36	30	35	30	26	
9	43	33	28	42	33	27	32	27	23	
10	40	31	25	39	30	25	30	25	21	

Zonal Lumens Summary

Zone	Lumens	%Lamp	%Fixture
0-30	1191	22.9	31.4
0-40	1950	37.5	51.4
0-60	3220	61.9	84.9
0-90	3793	72.9	100.0
90-180	0	0	0
0-180	3793	72.9	100.0

GT3 MV

Report LTL 7421

Lumens per lamp - 2850 – Lum. eff. - 80.1%

S/MH (along) 1.2 (across) 1.4

Coefficient of Utilization

Ceiling	80%			70%			50%		
	Wall	70%	50%	70%	50%	30%	50%	30%	10%
0	95	95	95	93	93	93	89	89	89
1	88	84	81	85	82	79	79	76	74
2	80	74	69	78	72	68	70	66	62
3	74	66	59	72	64	58	62	57	53
4	68	58	52	66	57	51	55	50	46
5	62	52	45	61	52	45	50	44	40
6	58	47	40	56	47	40	45	39	35
7	54	43	36	52	42	36	41	35	31
8	50	39	33	49	39	32	38	32	28
9	47	36	30	45	36	29	35	29	25
10	44	33	27	43	33	27	32	27	23

Zonal Lumens Summary

Zone	Lumens	%Lamp	%Fixture
0-30	2066	24.2	30.2
0-40	3412	39.9	49.8
0-60	5768	67.5	84.2
0-90	6851	80.1	100.0
90-180	0	0	0
0-180	6851	80.1	100.0

GT4 MV

Report LTL 7425

Lumens per lamp - 2850 – Lum. eff. - 78.6%

S/MH (along) 1.2 (across) 1.4

Coefficient of Utilization

Ceiling	80%			70%			50%		
	Wall	70%	50%	70%	50%	30%	50%	30%	10%
0	94	94	94	91	91	91	87	87	87
1	86	82	79	84	81	78	77	75	73
2	79	73	68	77	71	67	68	64	61
3	72	64	58	70	63	57	61	56	52
4	66	57	51	65	56	50	54	49	45
5	61	51	45	60	51	44	49	43	39
6	57	47	40	55	46	39	44	39	34
7	53	42	36	51	42	35	40	35	31
8	49	39	32	48	38	32	37	31	27
9	46	35	29	45	35	29	34	29	25
10	43	33	27	42	32	27	32	26	22

Zonal Lumens Summary

Zone	Lumens	%Lamp	%Fixture
0-30	2718	23.8	30.3
0-40	4481	39.3	50.0
0-60	7553	66.3	84.2
0-90	8965	78.6	100.0
90-180	0	0	0
0-180	8965	78.6	100.0