

Nordstrom Contracting  
 Consulting Corp  
 36 Theills Mt Ivy Rd  
 Pomona, NY 10970

**LETTER OF TRANSMITTAL**

Project# 620-13-117  
 ADA Bathroom Renovations

4/5/2016

To: Mark Cooperman  
 General Engineer  
 Montrose Campus  
 2094 Albany Post Rd  
 Montrose, NY 10548  
 914-737-4400 ex 2615

Submittal # 4

We are sending you  Herewith  Delivered by Hand  Under Separate Cover  Via ELECTRONIC

Plans  Prints  Shop Dwgs  Samples  Specifications  Other \_\_\_\_\_

Copies	Item	# Pages	Description
<b><u>Division 26- Electrical</u></b>			
<b><u>Section 260519- Low Voltage Electrical Conductors and Cables</u></b>			
1	1	3	Nurse Call- Edwards- Call For Assistance Kit- 6538-G5
			** Kit consists of Edwards 6536-GF Horn/Strobe- 592 Transformer & 6537 Pullcord
			** This is same make & model installed in all other bathroom renovations we've completed at Montrose & Castle Point
<b><u>Section 260526- Grounding &amp; Bonding for Electrical Systems</u></b>			
			N/A
<b><u>Section 260533- Raceway and Boxes for Electrical Systems</u></b>			
	2	6	<del>Power-Strut - Kindorf- Various sizes and types- TBD in field per code and condition</del>
	3	3	<del>Thomas &amp; Betts- Steel City- Metallic boxes &amp; covers- Various sizes and types- TBD in field- Per code &amp; condition</del>
	4	2	<del>Allied- E-Z Pull EMT- Size TBD in field per code &amp; condition</del>
	5	2	<del>ETP- EMT Steel Compression Connectors &amp; Couplings. Sizes TBD in field per code &amp; condition</del>
	6	2	<del>Minerallac- Conduit Hangers. Sizes TBD in field per code and condition</del>
	7	2	<del>Threaded Rod &amp; threaded rod accessories- fender washers, washers, nuts and couplings. Sizes TBD in field per code &amp; condition</del>
	8	1	<del>Ideal- Twister Wire Connectors- Sizes/colors TBD in field per code &amp; condition</del>
<b><u>Section 260923- Lighting Controls</u></b>			
	9	2	<del>WattStopper- DW-100 Dual Technology Wall Occupancy Sensor- White</del>
	10	2	<del>WattStopper- DW-300 Low voltage dual technology ceiling sensor- White</del>

**LETTER OF TRANSMITTAL**

			<u><del>Section 262726- Wiring</del></u>
	<del>11</del>	<del>2</del>	<del>Southwire- Individual Conductors- Size/Color TBD determined in field- Per code &amp; condition</del>
	<del>12</del>	<del>2</del>	<del>Southwire- Lite- Whip pre-assembled 6' 14AWG - LWL-143</del>
			<u><del>Section 262921- Enclosed switches &amp; circuit breakers</del></u>
			N/A
			<u><del>Section 265100- Lighting</del></u>
	<del>13</del>	<del>6</del>	<del>Lithonia- 2x2 troffers- submitting a few options in case availability problems. Different suppliers stock different model troffers.</del>

The Above Listed Items are transmitted as indicted below:

Return By Date: SEE BAR CHART

Approval     As Requested     For Your Use     For Construction

                      Approved As Noted     Submit    \_\_\_\_\_ Copies for Record Distribution

Remarks: \_\_\_\_\_

# Call for Assistance Kits

## CFA Series

The Edwards 6538-G5 24 volt Call For Assistance Kit is designed for areas where a call-for-help or an emergency switch is required. The kit consists of a 6536-G5 horn/strobe for audible and visual notification, a 6537 emergency pull cord station, and a 592 transformer. Each component may also be ordered individually.

### 6536-G5 Horn/Strobe

The 6536-G5 Horn/Strobe is designed for use in a single gang 2" (51mm) x 4" (102mm) box typically located over the door. Each unit contains an audible horn signal which generates an 82 dBA sound pressure level at 10 ft. and a 50 cd strobe. See page 6-12.

### 592 Transformer

The Edwards 592 transformer is used to power the horn/strobe. It is equipped with a grounding wire and is suitable for installation in both plastic and metal boxes. See section 7, page 7-25.

### 6537 Pull Cord Switch

The 6537 pull cord station provides emergency call activation and reset. It has a stainless steel face plate with a DPST switch. See page 6-14.

## Features and Specifications

- Kit includes 6536-G5 Horn/Strobe, 592 Transformer and 6537 Pull Cord Switch
- Double pole single throw switch
- Neutral white color
- Fits single gang box
- UL 1638 listed - Horn/Strobe



Ordering Information		Transformer		Horn/Strobe Current	Lens Color	dBA at 1m/10ft.	Strobe Candela
Description	Cat. No.	Primary	Secondary				
Call for Assistance Kit	<b>6538-G5</b>	120V AC	24V AC	0.175 A @ 24V AC <sup>1</sup> 0.125 A @ 24V DC	Clear	92/82	50
	<b>6538A-G5</b>	120V AC	24V AC	0.175 A @ 24V AC <sup>1</sup> 0.125 A @ 24V DC	Amber	92/82	40
	<b>6538B-G5</b>	120V AC	24V AC	0.175 A @ 24V AC <sup>1</sup> 0.125 A @ 24V DC	Blue	92/82	17
	<b>6538G-G5</b>	120V AC	24V AC	0.175 A @ 24V AC <sup>1</sup> 0.125 A @ 24V DC	Green	92/82	29
	<b>6538R-G5</b>	120V AC	24V AC	0.175 A @ 24V AC <sup>1</sup> 0.125 A @ 24V DC	Red	92/82	25

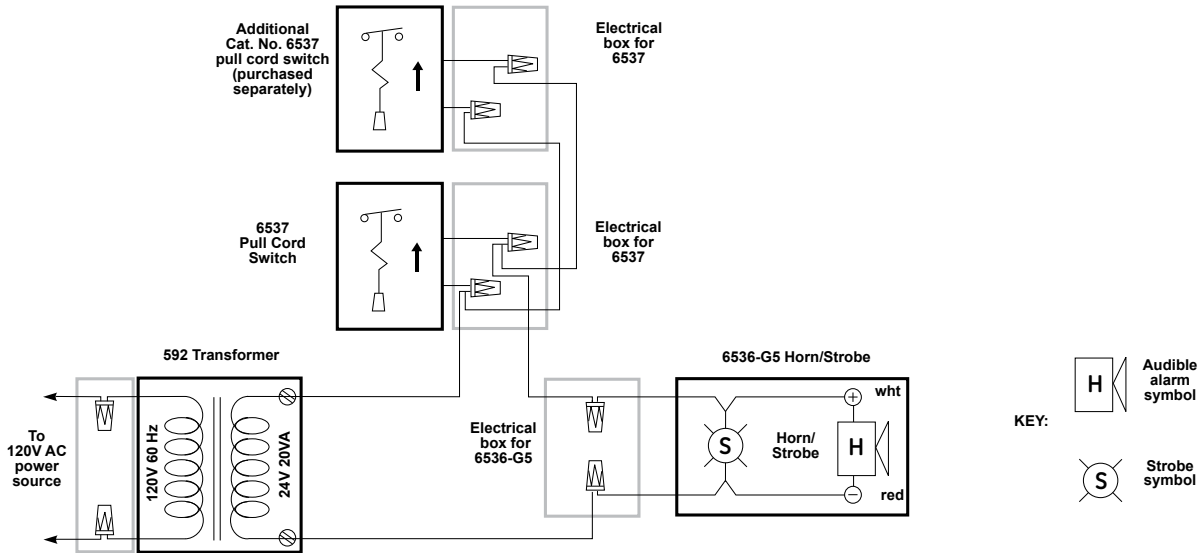
<sup>1</sup>AC voltage frequency is 50/60 Hz



# Call for Assistance Kits CFA Series

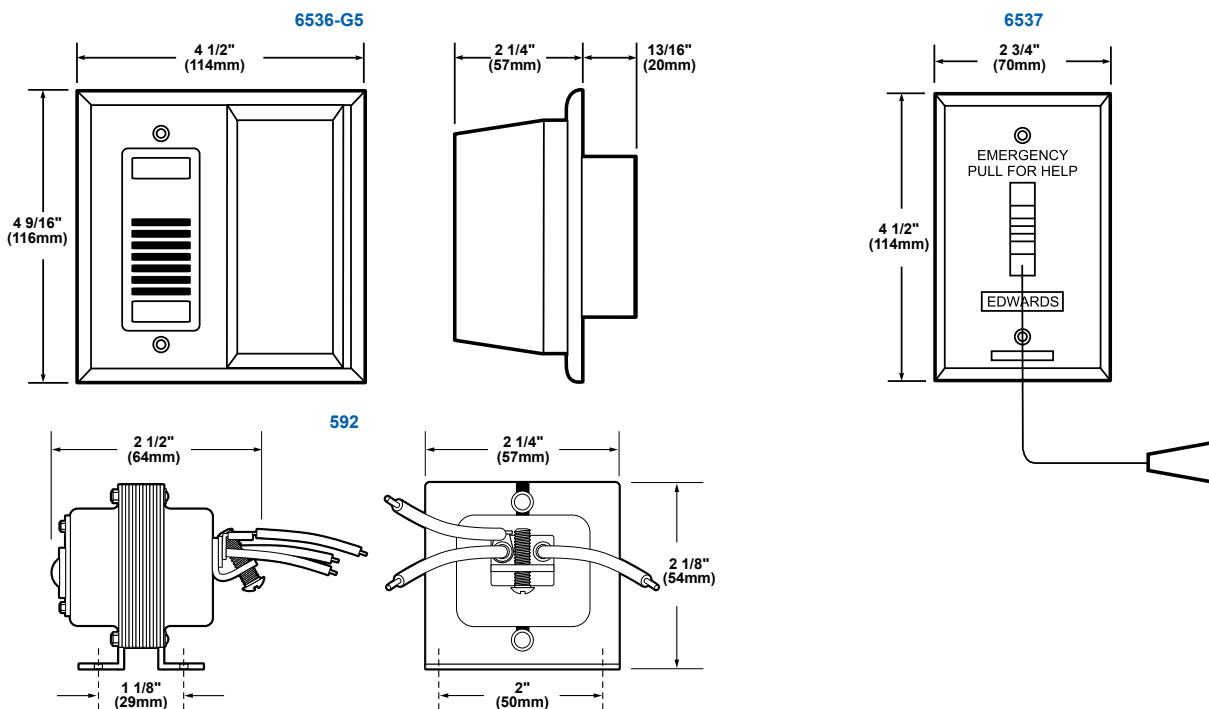
## Technical Information

Connecting 6538-G5 Call for Assistance Kit



## Weights and Dimensions

Cat. No.	Approx. Net Weight (lb.)	Approx. Shipping Weight (lb.)
6538-G5	1.53	1.81
6538A-G5	1.53	1.81
6538B-G5	1.53	1.81
6538G-G5	1.53	1.81
6538R-G5	1.53	1.81



6  
CALL FOR ASSISTANCE

# Pull Cord Switches

## CFA Series

The Edwards 6537 pull cord switch provides emergency call activation. The call may be reset at the initiating switch. Cords are replaceable with a standard nylon cord.

Designed for either flush or surface mounting. Unit fits in a standard single-gang electrical box and plaster cover. For surface mounting, use a Wire-mold surface box. All boxes must have a minimum depth of 1 3/4" (44mm). Boxes and covers not supplied.

### Features and Specifications

- Double pole single throw switch
- Stainless steel faceplate
- 10 foot cord length
- Replacement cords user supplied

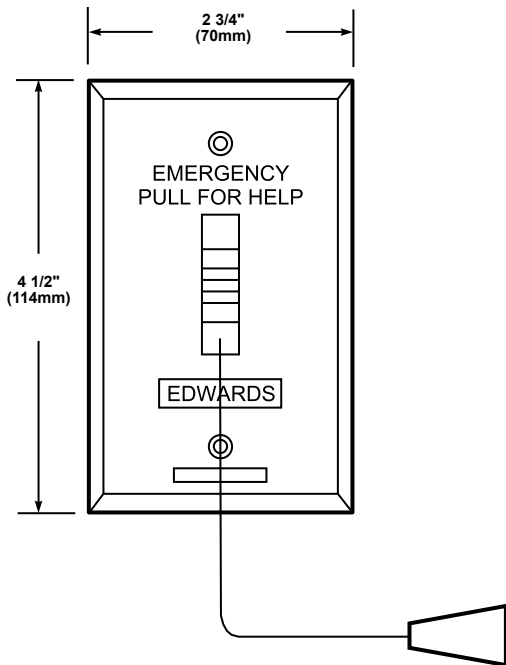


### Ordering Information

Description	Cat. No.	Operating Voltage	Current
Pull Cord Switch	6537	125V AC	3 A
		125V DC	0.5 A

### Weights and Dimensions

Cat. No.	Approx. Net Weight (lb.)	Approx. Shipping Weight (lb.)
6537	0.18	0.29



6 CALL FOR ASSISTANCE