

E-CSD Series

LED Canopy Light
Replaces up to 175W

Light housing to be white



Quick connect mounting bracket for easy installation

Make the installation process of a canopy fixture easier without risking damage to the LED array or sealing gasket.

Easy-To-Install

- Quick connect mounting bracket allows for ease of wiring connections

Recommended Use

- Building Soffits / Canopies
- Entryways / Walkways
- Outdoor Corridor
- Tunnels
- Perimeter Lighting

Durable

- Die-cast aluminum housing
- Frosted, UV-polycarbonate lens

Input Voltage

- Universal (120V through 277V Operation)

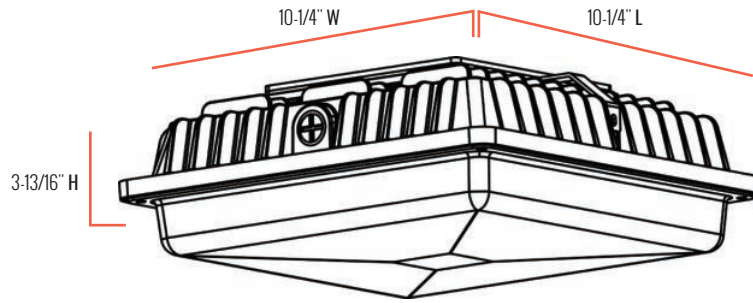
Certifications



WARNING: Cancer and Reproductive Harm - www.p65warnings.ca.gov



E-CSD Series



Series Overview

DIMENSIONS	PRODUCT WEIGHT	MOUNTING HEIGHT	SPACING
10-1/4" L x 10-1/4" W x 3-13/16" H	6.27 lbs.	10 to 20 feet (7000 Lumens)	---
		8 to 15 feet (4500 Lumens)	

Fixture Specifications

HOUSING	Die-cast aluminum housing Bronze or white polyester powder-coat finish
LENS ASSEMBLY	Frosted, UV-stabilized polycarbonate lens
MOUNTING	Quick Connect Mounting Plate allows for easy reliable wiring/installation in the field

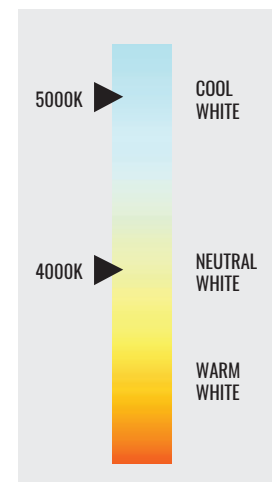
Electrical Performance

OPERATING RANGE	LIFESPAN <small>L₇₀ AT 25° C (77° F)</small>	POWER FACTOR	TOTAL HARMONIC DISTORTION	DIMMABLE
-40°C (-40°F) - 40°C (104°F)	Estimated >50,000 Hours	> 0.9	< 20%	No
INPUT VOLTAGE <small>Current Draw (Amps)</small>	120V	208V	240V	277V
E-CSD04	0.33A	0.19A	0.17A	0.14A
E-CSD07	0.47A	0.27A	0.24A	0.20A

Warranty & Certifications

WARRANTY	UL LISTED	DLC
5-Year Limited	Wet Locations	Yes, Premium

CORRELATED COLOR TEMPERATURE (CCT)



E-CSD Series

Output Specifications

SKU	LIGHT OUTPUT	COLOR TEMP (See chart)	POWER CONSUMPTION	COLOR ACCURACY	REPLACES	
E-CSD07A-W50B	7000 Lumens	Cool White (5000K)	55W	≥ 70 CRI	150W PSMH/ 175W MH	
E-CSD07A-W50W						
E-CSD07A-W40B		Neutral White (4000K)				
E-CSD07A-W40W						
E-CSD04A-W50B	4500 Lumens	Cool White (5000K)	40W		≥ 70 CRI	100W PSMH
E-CSD04A-W50W						
E-CSD04A-W40B		Neutral White (4000K)				
E-CSD04A-W40W						

DOUBLE SPOT Endurance

WP-LED430

WAC LIGHTING

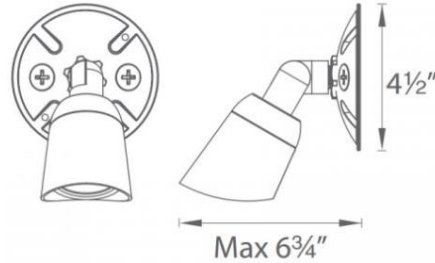


Fixture Type: _____

Catalog Number: _____

Project: _____

Location: _____



PRODUCT DESCRIPTION

Die cast aluminum factory sealed housings with patent pending design for a water and dust proof IP66 rated outdoor luminaire

FEATURES

- Factory-Sealed LED Light Engine
- Die-cast aluminum construction
- Photo/Motion Sensor Compatible (Sold Separately)
- 120V Direct Wire - No Driver Needed
- 85 CRI
- 39,000 hour rated life

SPECIFICATIONS

Construction: Die-cast aluminum

Power: Line Voltage input (120V)

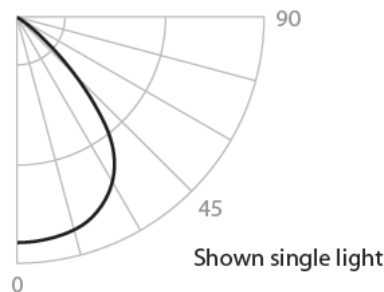
Dimming: 100% - 10% with Electronic Low Voltage (ELV) dimmer

Finish: Architectural Black, Bronze, White and Graphite

Standards: IP66, Wet Location, ETL & cETL Listed

Operating Temperature: -40°C (-40°F) to 40°C (104°F)

PHOTOMETRY



ORDER NUMBER

Model	Wattage	Comparable	Color temp	Delivered Lumens	Finish	
WP-LED415	Single	15W	75W	30 3000K	965	aBK Architectural Black
				50 5000K	1030	aBZ Architectural Bronze
					aGH Architectural graphite	
					aWT Architectural White	

Example: **WP-LED415-30-aWT**

wacighting.com
Phone (800) 526.2588
Fax (800) 526.2585

Headquarters/Eastern Distribution Center
44 Harbor Park Drive
Port Washington, NY 11050

Central Distribution Center
1600 Distribution Ct
Lithia Springs, GA 30122

Western Distribution Center
1750 Archibald Avenue
Ontario, CA 91760