

Nordstrom Contracting  
 Consulting Corp  
 36 Theills Mt Ivy Rd  
 Pomona, NY 10970

**LETTER OF TRANSMITTAL**

Project: 561A4-13-110  
 Lyons Porches & Roofs

08/28/2019

To: Gary Boehner  
 General Engineer  
 Lyons Campus  
 151 Knollcroft Rd  
 Lyons, NJ 07939

Submittal # \_\_\_\_\_

We are sending you  Herewith  Delivered by Hand  Under Separate Cover  Via ELECTRONIC

Plans  Prints  Shop Dwgs  Samples  Specifications  Other \_\_\_\_\_

Copies	Item	# Pages	Description

The Above Listed Items are transmitted as indicted below:

Return By Date: SEE BAR CHART

Approval  As Requested  For Your Use  For Construction

Approved As Noted  Submit \_\_\_\_\_ Copies for Record Distribution

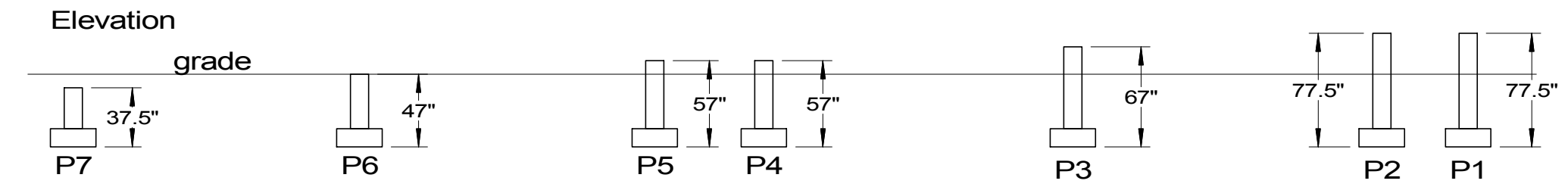
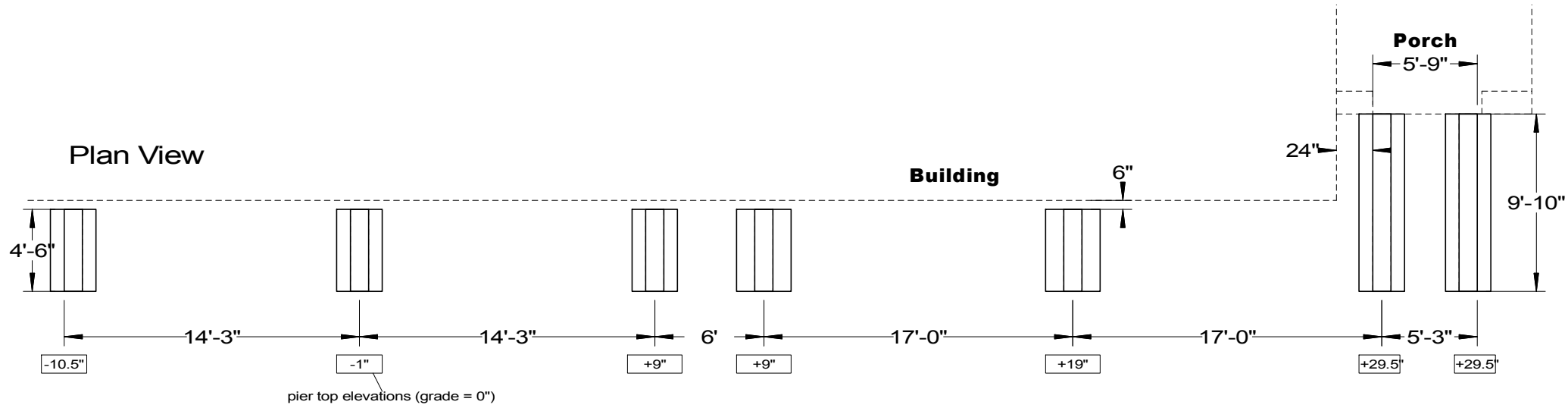
Returned for Correction, Revise & Resubmit  Coordination (Should the attached be in conflict with your work, advise immediately)

For Your Files  Other: \_\_\_\_\_

For Bids Due \_\_\_\_\_

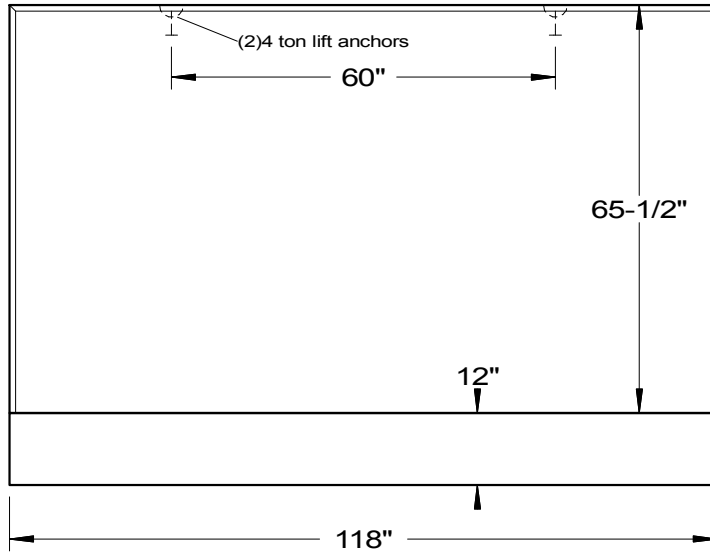
Remarks: \_\_\_\_\_

\_\_\_\_\_

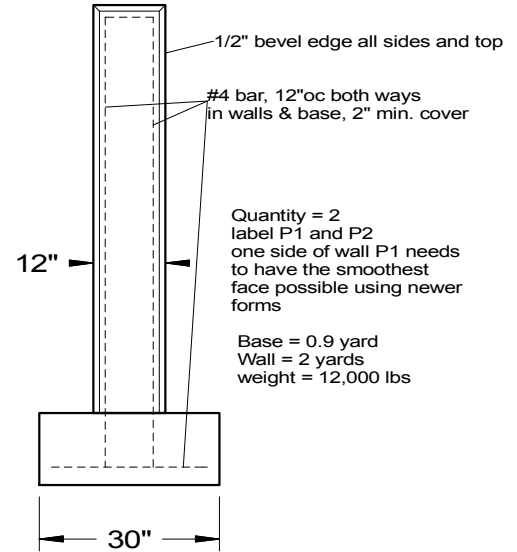


SPECIFICATIONS	
Concrete Min. Strength: 5,000 psi at 28 days Reinforcement: #4 Rebar, gr. 60 / ASTM A615 Air Entrainment: 6% Load Rating: 300 psf, pedestrian	SO#19-217 Date: 8/21/19 revised 8/28/19 Company: Nordstrom Contracting Description: Pier Layout Lyons, NJ / Contract #VA243-16-C-0144
	<b>Woodard's Concrete Products, Inc.</b> 629 Lybolt Road, Bullville, NY 10915 (845) 361-3471 / Fax 361-1050

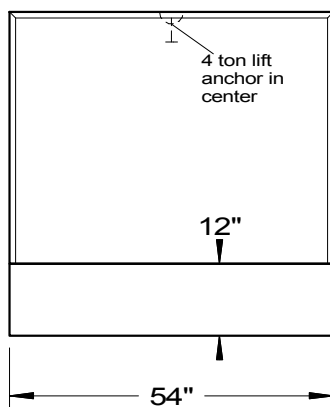
**Side View**



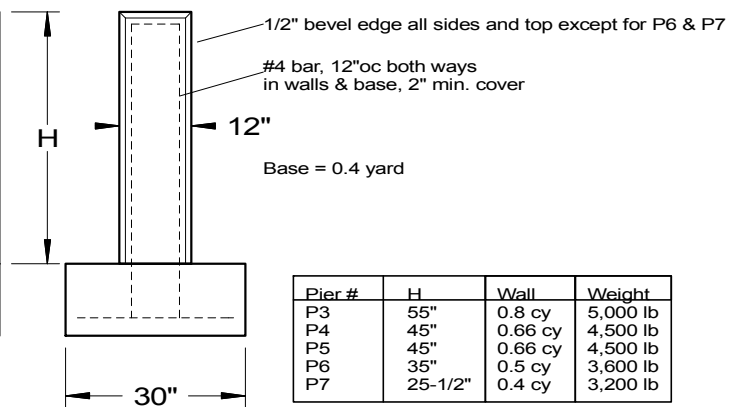
**End View**



**Side View**



**End View**



Pier #	H	Wall	Weight
P3	55"	0.8 cy	5,000 lb
P4	45"	0.66 cy	4,500 lb
P5	45"	0.66 cy	4,500 lb
P6	35"	0.5 cy	3,600 lb
P7	25-1/2"	0.4 cy	3,200 lb

**SPECIFICATIONS**

Concrete Min. Strength: 5,000 psi at 28 days  
Reinforcement: #4 Rebar, gr. 60 / ASTM A615  
Air Entrainment: 6%  
Load Rating: 300 psf, pedestrian

SO#19-217

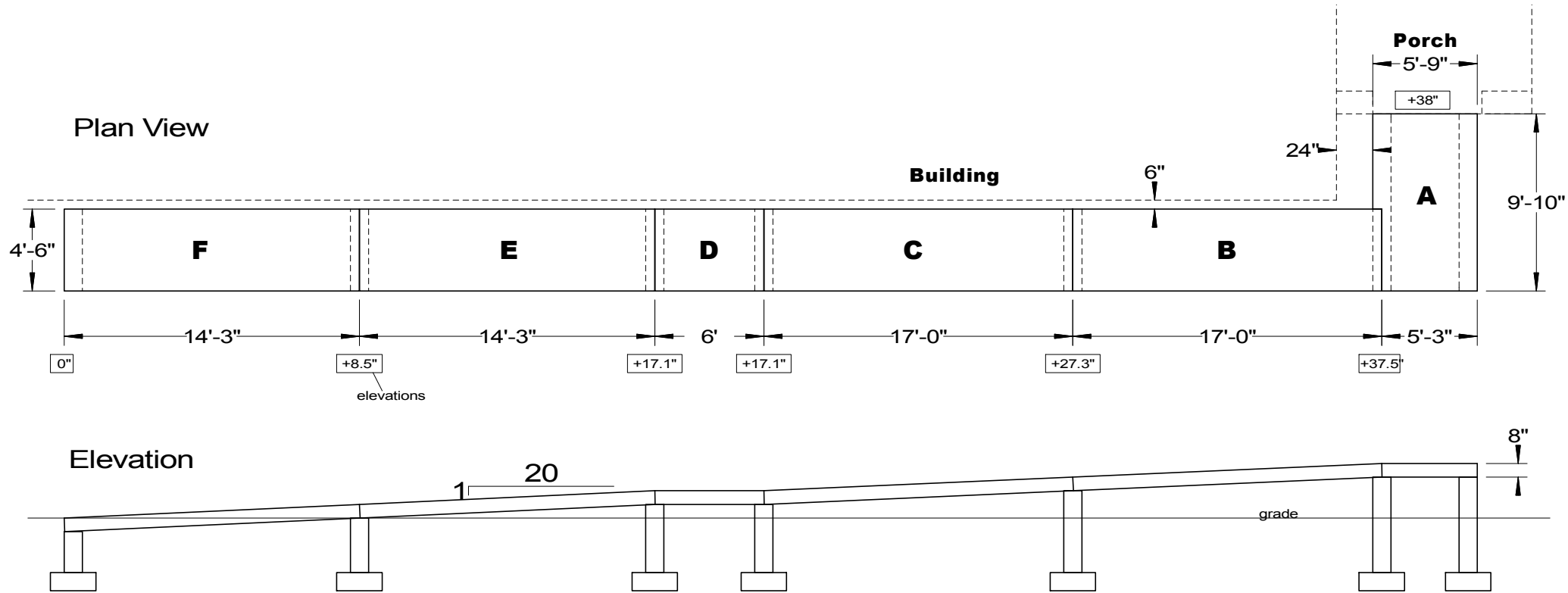
Date: 8/21/19 revised 8/28/19

Company: Nordstrom Contracting

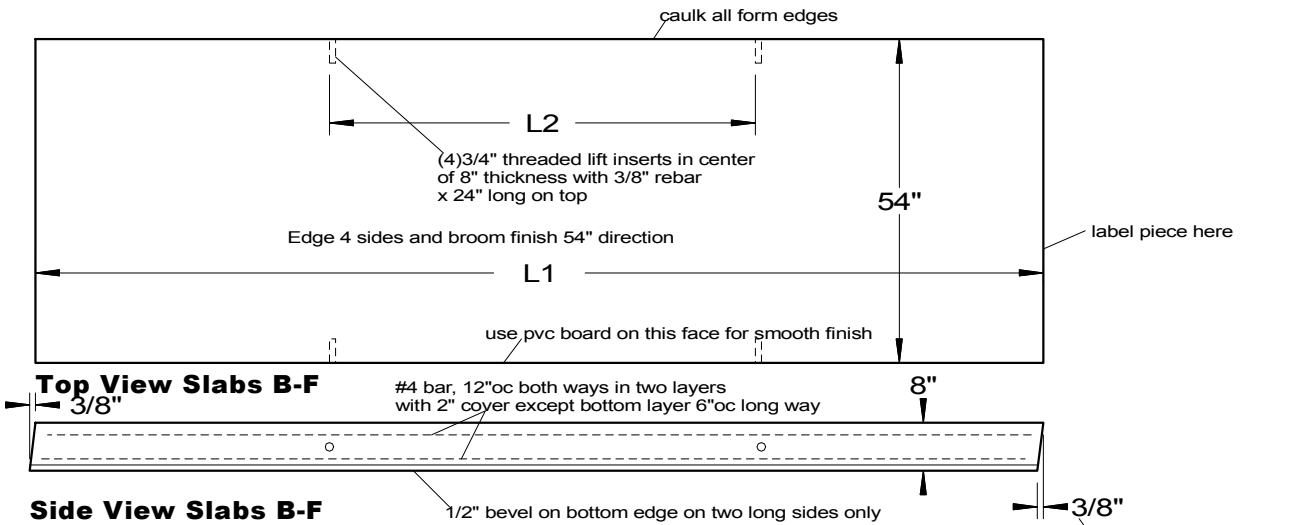
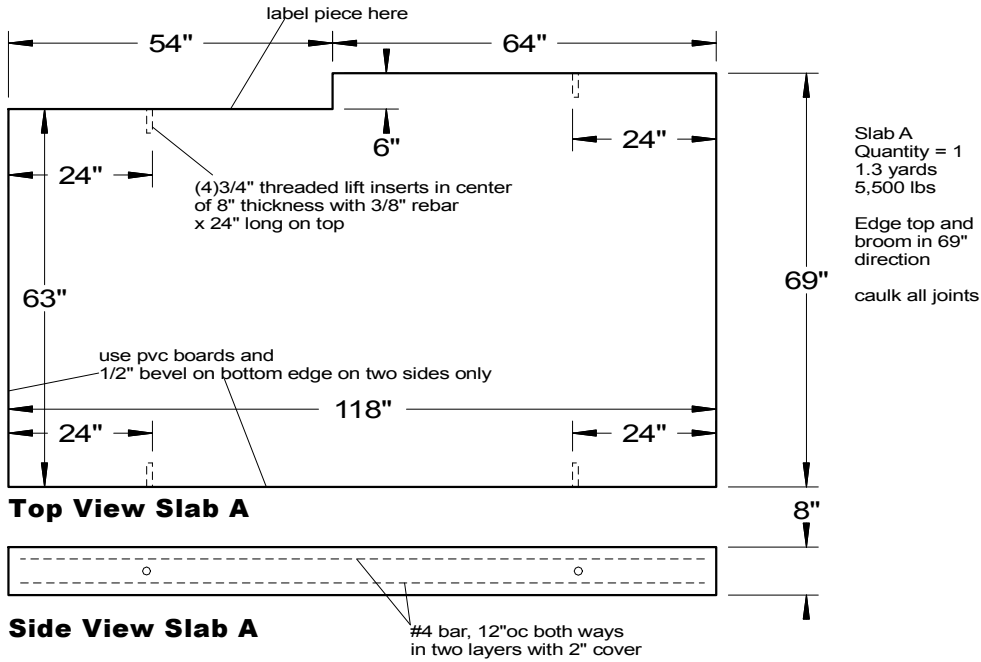
Description: Pier Footings for Ramp  
Lyons, NJ / Contract #VA243-16-C-0144

**Woodard's Concrete Products, Inc.**

629 Lybolt Road, Bullville, NY 10915  
(845) 361-3471 / Fax 361-1050



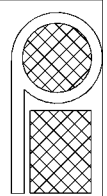
SPECIFICATIONS	
Concrete Min. Strength: 5,000 psi at 28 days Reinforcement: #4 Rebar, gr. 60 / ASTM A615 Air Entrainment: 6% Load Rating: 300 psf, pedestrian	SO#19-217 Date: 8/19/19 revised 8/28/19 Company: Nordstrom Contracting Description: Ramp Layout Lyons, NJ / Contract #VA243-16-C-0144
	<b>Woodard's Concrete Products, Inc.</b> 629 Lybolt Road, Bullville, NY 10915 (845) 361-3471 / Fax 361-1050



Slab	L1	L2	Concrete	Weight
B	17'	10'	1.9 cy	7,500 lb
C	17'	10'	1.9 cy	7,500 lb
D	6'	4'	0.7 cy	2,800 lb
E	14'-3"	8'	1.6 cy	6,100 lb
F	14'-3"	8'	1.6 cy	6,100 lb

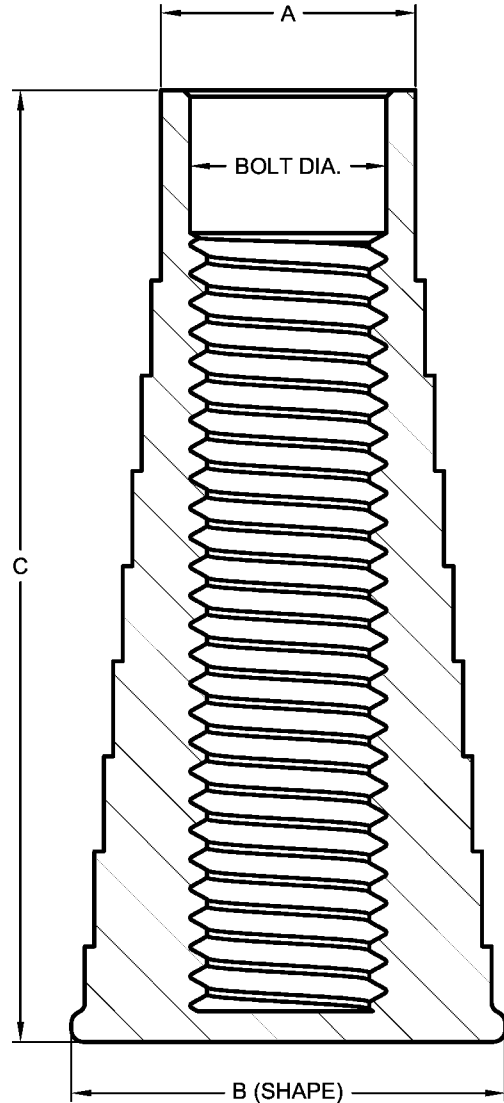
Except Slab D which has no angled ends

SPECIFICATIONS	
Concrete Min. Strength: 5,000 psi at 28 days	SO#19-217
Reinforcement: #4 Rebar, gr. 60 / ASTM A615	Date: 8/21/19 revised 8/28/19
Air Entrainment: 6%	Company: Nordstrom Contracting
Load Rating: 300 psf, pedestrian	Description: Slabs for Ramp
	Lyons, NJ / Contract #VA243-16-C-0144
	<b>Woodard's Concrete Products, Inc.</b>
	629 Lybolt Road, Bullville, NY 10915
	(845) 361-3471 / Fax 361-1050

Fax to:	Customer	Approved/Notes		<b>PA Insert Corp</b> 490 FIRST AVENUE ROYERSFORD, PA 19468 tel: 610-948-9688 fax: 610-948-4975  email: sales@pennsylvaniainsert.com web: www.painsert.com	
Fax#	Project				
From	Job#	Ship Date			
Date	PA Insert Quote/Order#	Page ____ of ____			

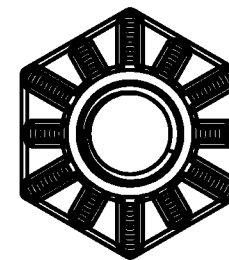
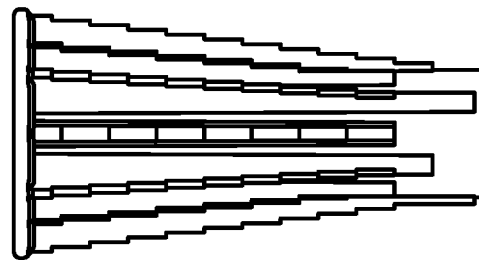
## PLASTIC THREADED INSERT

- FOR USE WITH PA INSERT TAP-ONS AND STICK-ONS
- STEPS IN RIBS INCREASE INSERT SURFACE CONTACT



MODEL	BOLT DIA.	A	B	C	WORKING LOAD (LBS.)	ULTIMATE STRENGTH (LBS.)	CONCRETE PSI
IN-025	1/4"	0.35"	0.75" (OCT)	1-1/4"	200	770	4000
IN-038	3/8"	0.50"	0.86" (OCT)	1-1/2"	770	3076	5000
IN-050S	1/2"	0.67"	1.00" (HEX)	1-3/4"	1392	5567	6600
IN-050	1/2"	0.67"	1.14" (HEX)	2-1/2"	1763	7050	4100
IN-063	5/8"	0.81"	1.30" (HEX)	3"	2916	11664	6065
IN-075	3/4"	0.94"	1.38" (HEX)	3-1/4"	2545	10180	4751
IN-100	1"	1.20"	1.83" (CIRC)	3-3/4"	3740	18700	3076

- NOTE: - USE NATIONAL COARSE GRADE 8 HIGH STRENGTH THREADED BOLTS  
 - THREADS MUST BE FULLY ENGAGED TO ACHIEVE LOADS LISTED ABOVE  
 - INSERT MUST NOT BE USED IN CONDITIONS THAT EXCEED 185 °F  
 - CONCRETE PSI WILL ALTER RESULTS SHOWN



EXAMPLE OF HEXAGONAL BASE